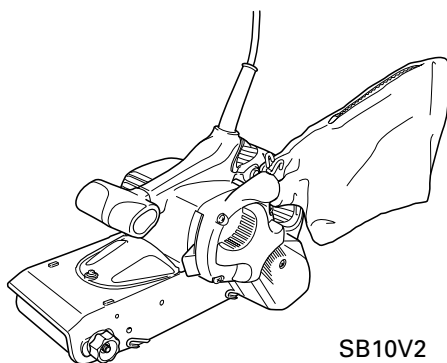


# HITACHI

**Belt sander  
Bandschleifer  
Τριβείο ταινίας  
Szlifierka taśmowa  
Szalagcsiszoló  
Pásová bruska  
Tank zimpara  
Slefuitor cu bandă  
Tračni brusilnik  
Ленточная шлифовальная машина**

**SB 10V2 · SB 10S2**



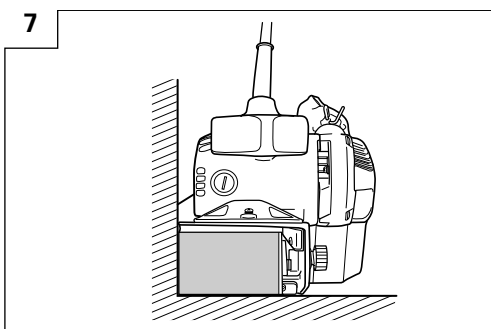
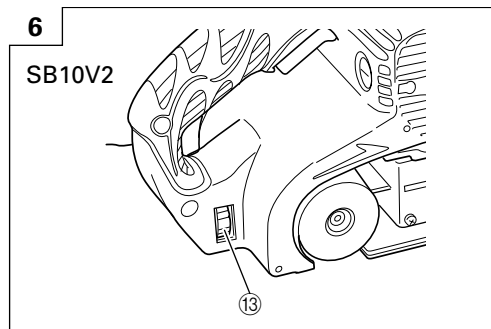
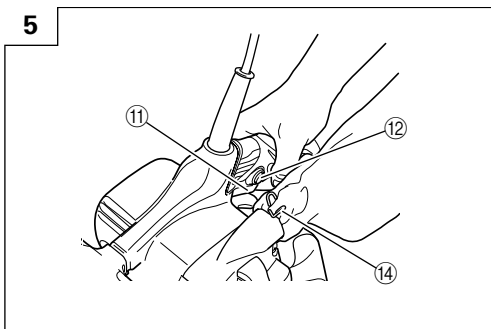
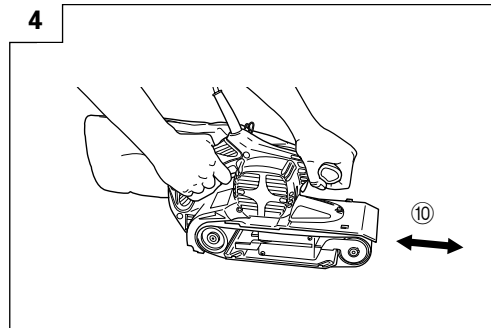
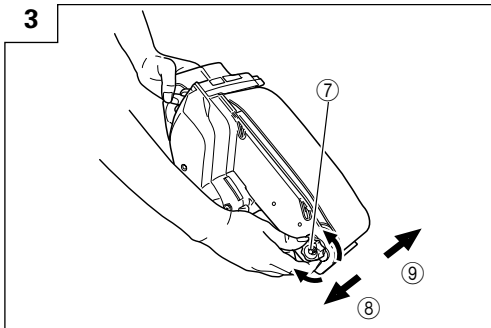
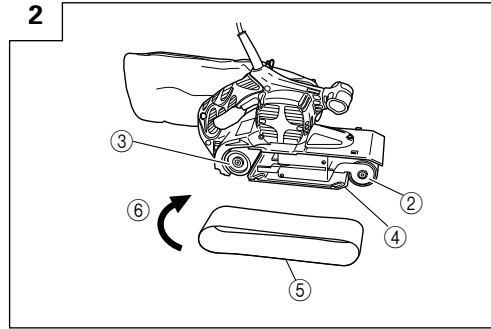
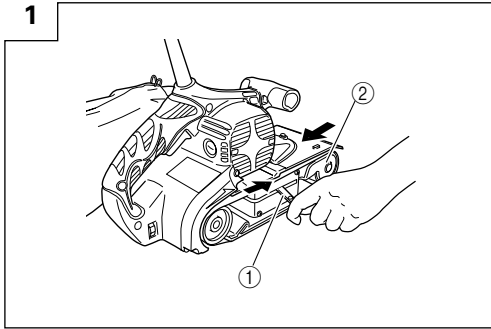
SB10V2

Read through carefully and understand these instructions before use.  
Diese Anleitung vor Benutzung des Werkzeugs sorgfältig durchlesen und verstehen.  
Διαβάστε προσεκτικά και κατανοήστε αυτές τις οδηγίες πριν τη χρήση.  
Przed użytkowaniem należy dokładnie przeczytać niniejszą instrukcję i zrozumieć jej treść.  
Használat előtt olvassa el figyelmesen a használati utasítást.  
Pred použitím si pečlivo prečtete tento návod a uistíte se, že mu dobre rozumíte.  
Aleti kullanmadan önce bu kılavuzu iyice okuyun ve talimatları anlayın.  
Înainte de utilizare, citiți cu atenție și înțelegeți prezentele instrucțiuni.  
Pred uporabo natančno preberite in razumite ta navodila.  
Внимательно прочтите данную инструкцию по эксплуатации прежде чем пользоваться инструментом.



**Handling instructions  
Bedienungsanleitung  
Οδηγίες χειρισμού  
Instrukcja obsługi  
Kezelési utasítás  
Návod k obsluze  
Kullanım talimatları  
Instrucțiuni de utilizare  
Navodila za rokovanje  
Инструкция по эксплуатации**




**Hitachi Koki**



	English	Deutsch	Ελληνικά	Polski
①	Lever	Hebel	Μοχλός	Dźwignia
②	Idle pulley	Lose Rolle	Τροχαλία αδρανοποίησης	Koło pasowe luźne
③	Drive pulley	Antriebsrolle	Τροχαλία κίνησης	Koło pasowe napędowe
④	Shoe plate	Schleifschuh	Πλάκα πέλματος	Płyta ślizgacza
⑤	Sanding belt	Schleifband	Ιμάντας λείανσης	Taśma szlifierska
⑥	Rotational direction	Drehrichtung	Κατεύθυνση περιστροφής	Kierunek obrotów
⑦	Adjust screw	Einstellschraube	Κοχλίας ρύθμισης	Śruba regulacyjna
⑧	Inside	Innen	Εσωτερικό	Wewnątrz
⑨	Outside	Außen	Εξωτερικό	Z zewnątrz
⑩	Move	Bewegen	Κίνηση	Ruch
⑪	Trigger switch	Abzugsschalter	Διακόπτης σκανδάλης	Przycisk spustowy
⑫	Stopper	Anschlag	Αναστολέας	Blokada
⑬	Dial	Wählscheibe	Επιλογέας	Pokrętło
⑭	Support bar	Trägerstange	Μπάρες στήριξης	Pręt podtrzymujący

	Magyar	Čeština	Türkçe	Română
①	Kar	Páka	Manivela	Pârghie
②	Laza tárcsa	Vodící kladka	Avara kasnağı	Fulie condusă
③	Hajtótárcsa	Kladka náhonu	Tahrik kasnağı	Fulie motoare
④	Talplemez	Základová deska	Pabuç plakası	Placă suport
⑤	Csiszolószalag	Brusný pás	Zımpara bandı	Bandă abrazivă
⑥	Forgásirány	Směr rotace	Dönüş yönü	Direcție de rotație
⑦	Állítócsavar	Nastavovací šroub	Ayar vidası	Șurub de reglare
⑧	Belül	Vnitřek	İç	Interior
⑨	Kívül	Vnějšek	Diş	Exterior
⑩	Mozgás	Posun	Hareket	Mișcare
⑪	Indítókapcsoló	Spínač	Açma/Kapama Anahtarı	Comutator de acționare
⑫	Megállító	Zarážka	Durdurucu	Opritor
⑬	Tárcsa	Číselník	Kadran	Buton de reglare
⑭	Tartórúd	Podpurná lišta	Destek çubuğu	Bară de susținere

	Slovenščina	Русский
①	Ročica	Рычаг
②	Škripec prostega teka	Натяжной шкив
③	Pogonski škripec	Приводной шкив
④	Okovna plošča	Башмак
⑤	Smirkov jermen	Шлифовальная лента
⑥	Smer rotacije	Направление вращения
⑦	Vijak za nastavljanje	Регулировочный винт
⑧	Oznotraj	Внутренняя поверхность
⑨	Odzunaj	Внешняя поверхность
⑩	Premik	Ход
⑪	Sprožilno stikalo	Курковый переключатель
⑫	Zaustavljalec	Заглушка
⑬	Številčnica	Шкальный диск
⑭	Podporni drog	Опорная планка

	<b>Symbols</b> <b>⚠ WARNING</b> The following show symbols used for the machine. Be sure that you understand their meaning before use.	<b>Symbole</b> <b>⚠ WARNING</b> Die folgenden Symbole werden für diese Maschine verwendet. Achten Sie darauf, diese vor der Verwendung zu verstehen.	<b>Σύμβολα</b> <b>⚠ ΠΡΟΣΟΧΗ</b> Τα παρακάτω δείχνουν τα σύμβολα που χρησιμοποιούνται στο μηχανήμα. Βεβαιωθείτε ότι κατανοείτε τη σημασία τους πριν τη χρήση.	<b>Symbole</b> <b>⚠ OSTRZEŻENIE</b> Następujące oznaczenia to symbole używane w instrukcji obsługi maszyny. Uważaj się, że rozumiesz ich znaczenie zanim użyjesz narzędzia.	<b>Jelölések</b> <b>⚠ FIGYELEM</b> Az alábbiakban a géphez alkalmazott jelölések vannak felsorolva. A gép használatá előtt feltétlenül ismerje meg ezeket a jelöléseket.
	<b>Read all safety warnings and all instructions.</b> Failure to follow the warnings and instructions may result in electric shock, fire and/or serious injury.	<b>Lesen Sie sämtliche Sicherheitshinweise und Anweisungen durch.</b> Wenn die Warnungen und Anweisungen nicht befolgt werden, kann es zu Stromschlag, Brand und/oder ernsthaften Verletzungen kommen.	<b>Διαβάστε όλες τις προειδοποιήσεις ασφαλείας και όλες τις οδηγίες.</b> Η μη τήρηση των προειδοποιήσεων και οδηγιών μπορεί να προκαλέσει ηλεκτροπληξία, πυρκαγιά και/ή σοβαρό τραυματισμό.	<b>Należy dokładnie zapoznać się ze wszystkimi ostrzeżeniami i wskazówkami bezpieczeństwa.</b> Nieprzestęganie ostrzeżeń oraz wskazówek bezpieczeństwa może spowodować porażenie prądem elektrycznym, pożar i/lub odniesienie poważnych obrażeń.	<b>Olvasson el minden biztonsági figyelmeztetést és minden utasítást.</b> A figyelmeztetések és utasítások be nem tartása áramütést, tüzet és/vagy súlyos sérülést eredményezhet.
	Only for EU countries Do not dispose of electric tools together with household waste material! In observance of European Directive 2002/96/EC on waste electrical and electronic equipment and its implementation in accordance with national law, electric tools that have reached the end of their life must be collected separately and returned to an environmentally compatible recycling facility.	Nur für EU-Länder Werfen Sie Elektrowerkzeuge nicht in den Hausmüll! Gemäss Europäischer Richtlinie 2002/96/EG über Elektro- und Elektronik- Altgeräte und Umsetzung in nationales Recht müssen verbrauchte Elektrowerkzeuge getrennt gesammelt und einer umweltgerechten Wiederverwertung zugeführt werden.	Μόνο για τις χώρες της ΕΕ Μην πετάτε τα ηλεκτρικά εργαλεία στον κοινό οικιακών απορριμμάτων! Σύμφωνα με την ευρωπαϊκή οδηγία 2002/96/ΕΚ περί ηλεκτρικών και ηλεκτρονικών συσκευών και την ενσωμάτωσή της στο εθνικό δίκαιο, τα ηλεκτρικά εργαλεία πρέπει να συλλέγονται ξεχωριστά και να επιστρέφονται για ανακύκλωση με τρόπο φιλικό προς το περιβάλλον.	Dotyczy tylko państw UE Nie wyrzucaj elektronarzędzi wraz z odpadami z gospodarstwa domowego! Zgodnie z Europejską Dyrektywą 2002/96/WE w sprawie zużytego sprzętu elektrotechnicznego i elektronicznego oraz dostosowaniem jej do prawa krajowego, zużyte elektronarzędzia należy posegregować i zutylizować w sposób przyjazny dla środowiska.	Csak EU-országok számára Az elektromos kéziszerszámokat ne dobja a háztartási szeméttel! A használt villamos és elektronikai készülékekről szóló 2002/96/EK irányelv és annak a nemzeti jogba való átültetése szerint az elhasznált elektromos kéziszerszámokat külön kell gyűjteni, és környezetbarát módon újra kell hasznosítani.
	<b>Symbole</b> <b>⚠ UPOZORNĚNÍ</b> Následující text obsahuje symboly, které jsou použity na zařízení. Ujistěte se, že rozumíte jejich obsahu před tím, než začnete zařízení používat.	<b>Simgeler</b> <b>⚠ DİKKAT</b> Aşağıda, bu alet için kullanılan simgeler gösterilmiştir. Aleti kullanmadan önce bu simgelerle ne anlama geldiğini anlamalısınız.	<b>Simboluri</b> <b>⚠ AVERTISMENT</b> În cele ce urmează sunt prezentate simbolurile folosite pentru maşină. Înainte de utilizare, asiguraţi-vă că înţelegeţi semnificaţia acestora.	<b>Simboli</b> <b>⚠ OPOZORILO</b> V nadaljevanju so prikazani simboli, uporabljeni pri stroju. Pred uporabo se prepričajte, da jih razumete.	<b>Символы</b> <b>⚠ ПРЕДУПРЕЖДЕНИЕ</b> Ниже приведены символы, используемые для машины. Перед началом работы обязательно убедитесь в том, что Вы понимаете их значение.
	<b>Прěčtĕte si vřechna varovn tykajci se bezpenosti a vřechny pokyny.</b> Nedodrzeni tchto varovn a pokyn mže mt za nsledek elektrick šok, poar a/ nebo vzn zranĕn.	<b>Tm gvenlik uyarılarına ve tm talimatları okuyun.</b> Uyarılara ve talimatlara uyulmaması elektrik arpmasına, yangına ve/veya ciddi yaralanmaya neden olabilir.	<b>Citiți toate avertismentele privind siguranța și toate instrucțiunile.</b> Nerespectarea avertismentelor și a instrucțiunilor poate avea ca efect producerea de șocuri electrice, incendii și/sau vătămări grave.	<b>Preberite vazo varnostna opozorila in navodila.</b> Z neupořtevanjem opozoril in navodil tvegate elektrini udar, poar in/ali resne telesne poškodbne.	<b>Прочитите все правила безопасности и инструкции.</b> Не выполнение правил и инструкций может привести к поражению электрическим током, пожару и/или серьезной травме.
	Jen pro stty EU Elektrick nrad nevyhazujte do komunlnho odpadu! Podle evropsk smĕrnice 2002/96/EG o nakldn s použitmi elektrickmi a elektronickmi zařizenmi a odpovídajc ustanoven prvnch předpis jednotlivch zem se použit elektrick nrad mus sbrat oddĕlen od ostatnho odpadu a podrobit ekologicky setrnmu recyklovn.	Sadece AB lkeleri iin Elektrikli el aletlerini evdeki op kutusuna atmayınız! Kullanılmıř elektrikli aletleri, elektrik ve elektronik eski cihazlar hakkında 2002/96/EC Avrupa ynergelerine gre ve bu ynergeler ulusal hukuk kurallarına gre uyarlanarak, ayrı olarak toplanmalı ve evre şartlarına uygun bir şekilde tekrar deęerlendirilmeye gnderilmelidir.	Numai pentru țrile membre UE Nu aruncați aceast scul electric împreun cu deșeurile menajere! În conformitate cu Directiva European 2002/96/CE referitoare la deșeurile reprezentnd echipamente electrice și electronice și la implementarea acesteia în conformitate cu legislațiile naționale, sculele electrice care au ajuns la finalul duratei de folosire trebuie colectate separat și duse la o unitate de reciclare compatibil cu mediul inconjurtor.	Samo za drzave EU Elektrinih orodij ne zavřzite skupaj z gospodinjiskimi odpadki! V skladu z evropsko direktivo 2002/96/EC o odpadni elektrini in elektronski opremi in izvedbi v skladu z drzavnimi zakoni, je treba elektrina orodja, ki so dosegla življenjsko dobo loeno zbirati in vrniti v z okoljem zdruřljivo ustanovo za recikliranje.	Только для стран ЕС Не выкидывайте электроприборы вместе с обычным мусором! В соответствии с европейской директивой 2002/96/EG об утилизации старых электрических и электронных приборов и в соответствии с местными законами электроприборы, бывшие в эксплуатации, должны утилизироваться отдельно безопасным для окружающей среды способом.

## GENERAL POWER TOOL SAFETY WARNINGS

### **⚠ WARNING**

**Read all safety warnings and all instructions.**

*Failure to follow the warnings and instructions may result in electric shock, fire and/or serious injury.*

**Save all warnings and instructions for future reference.**

*The term "power tool" in the warnings refers to your mains-operated (corded) power tool or battery-operated (cordless) power tool.*

#### 1) Work area safety

- a) **Keep work area clean and well lit.**  
*Cluttered or dark areas invite accidents.*
- b) **Do not operate power tools in explosive atmospheres, such as in the presence of flammable liquids, gases or dust.**  
*Power tools create sparks which may ignite the dust or fumes.*
- c) **Keep children and bystanders away while operating a power tool.**  
*Distractions can cause you to lose control.*

#### 2) Electrical safety

- a) **Power tool plugs must match the outlet. Never modify the plug in any way. Do not use any adapter plugs with earthed (grounded) power tools.**  
*Unmodified plugs and matching outlets will reduce risk of electric shock.*
- b) **Avoid body contact with earthed or grounded surfaces, such as pipes, radiators, ranges and refrigerators.**  
*There is an increased risk of electric shock if your body is earthed or grounded.*
- c) **Do not expose power tools to rain or wet conditions.**  
*Water entering a power tool will increase the risk of electric shock.*
- d) **Do not abuse the cord. Never use the cord for carrying, pulling or unplugging the power tool. Keep cord away from heat, oil, sharp edges or moving parts.**  
*Damaged or entangled cords increase the risk of electric shock.*
- e) **When operating a power tool outdoors, use an extension cord suitable for outdoor use.**  
*Use of a cord suitable for outdoor use reduces the risk of electric shock.*
- f) **If operating a power tool in a damp location is unavoidable, use a residual current device (RCD) protected supply.**  
*Use of an RCD reduces the risk of electric shock.*

#### 3) Personal safety

- a) **Stay alert, watch what you are doing and use common sense when operating a power tool. Do not use a power tool while you are tired or under the influence of drugs, alcohol or medication.**  
*A moment of inattention while operating power tools may result in serious personal injury.*
- b) **Use personal protective equipment. Always wear eye protection.**  
*Protective equipment such as dust mask, non-skid safety shoes, hard hat, or hearing protection used for appropriate conditions will reduce personal injuries.*
- c) **Prevent unintentional starting. Ensure the switch is in the off-position before connecting to power source and/or battery pack, picking up or carrying the tool.**

*Carrying power tools with your finger on the switch or energising power tools that have the switch on invites accidents.*

- d) **Remove any adjusting key or wrench before turning the power tool on.**  
*A wrench or a key left attached to a rotating part of the power tool may result in personal injury.*
  - e) **Do not overreach. Keep proper footing and balance at all times.**  
*This enables better control of the power tool in unexpected situations.*
  - f) **Dress properly. Do not wear loose clothing or jewellery. Keep your hair, clothing and gloves away from moving parts.**  
*Loose clothes, jewellery or long hair can be caught in moving parts.*
  - g) **If devices are provided for the connection of dust extraction and collection facilities, ensure these are connected and properly used.**  
*Use of dust collection can reduce dust related hazards.*
- #### 4) Power tool use and care
- a) **Do not force the power tool. Use the correct power tool for your application.**  
*The correct power tool will do the job better and safer at the rate for which it was designed.*
  - b) **Do not use the power tool if the switch does not turn it on and off.**  
*Any power tool that cannot be controlled with the switch is dangerous and must be repaired.*
  - c) **Disconnect the plug from the power source and/or the battery pack from the power tool before making any adjustments, changing accessories, or storing power tools.**  
*Such preventive safety measures reduce the risk of starting the power tool accidentally.*
  - d) **Store idle power tools out of the reach of children and do not allow persons unfamiliar with the power tool or these instructions to operate the power tool. Power tools are dangerous in the hands of untrained users.**
  - e) **Maintain power tools. Check for misalignment or binding of moving parts, breakage of parts and any other condition that may affect the power tool's operation. If damaged, have the power tool repaired before use.**  
*Many accidents are caused by poorly maintained power tools.*
  - f) **Keep cutting tools sharp and clean.**  
*Properly maintained cutting tools with sharp cutting edges are less likely to bind and are easier to control.*
  - g) **Use the power tool, accessories and tool bits etc. in accordance with these instructions, taking into account the working conditions and the work to be performed.**  
*Use of the power tool for operations different from those intended could result in a hazardous situation.*
- #### 5) Service
- a) **Have your power tool serviced by a qualified repair person using only identical replacement parts.**  
*This will ensure that the safety of the power tool is maintained.*

### **PRECAUTION**

**Keep children and infirm persons away. When not in use, tools should be stored out of reach of children and infirm persons.**

**PRECAUTIONS ON USING BELT SANDER**

**CAUTION**

Prior to the sanding operation, make sure the material you are going to sand.

If generation of harmful/ toxic dusts such as lead paint, woods and metals is expected under the

sanding operation, make sure the dust bag or appropriate dust extraction system is connected with dust outlet tightly.

Wear the dust mask additionally, if available.

Do not inhale or touch the harmful / toxic dusts generated in sanding operation, the dust can endanger the health of yourself and bystanders.

**SPECIFICATIONS**

Model	SB10V2	SB10S2
Voltage (by areas)*	(110V, 220V, 230V, 240V) ~	
Power input*	1020 W	
No-load belt speed	240 – 420 m / min	420 m / min
Sanding belt size	100 × 610 mm	
Weight (without cord)	5.2 kg	

\* Be sure to check the nameplate on product as it is subject to change by areas.

**STANDARD ACCESSORIES**

- (1) Endless sanding belt (Grain size: #80) ..... 1
  - (2) Dust bag ..... 1
- Standard accessories are subject to change without notice.

**OPTIONAL ACCESSORIES  
(sold separately)**

**1. Endless sanding belts**

Table1

Grain size	Grain Type
40	AA, WA, CC
60	AA, WA, CC
80	AA, WA, CC
100	AA, WA, CC
120	AA, WA, CC
150	AA, WA, CC
180	AA, WA, CC
240	AA, WA, CC

**NOTE:**

The endless sanding belt is sold in package of 10 belts of the same type. When ordering, specify the grain type and grain size desired.

**2. Stationary Stand**

When sanding small articles, use a stationary stand for convenience.

Optional accessories are subject to change without notice.

**APPLICATIONS**

- Finish sanding and finish flooring of woodwork products.
- Base polishing of wood-coated surfaces.
- Finish sanding of metal surfaces.
- Base polishing of metal-coated surfaces, rust removal, or paint removal prior to refinishing.
- Surface finishing of slate, concrete, and similar materials.

**PRIOR TO OPERATION**

- 1. Power source**  
Ensure that the power source to be utilized conforms to the power requirements specified on the product nameplate.
- 2. Power switch**  
Ensure that the power switch is in the OFF position. If the plug is connected to a receptacle while the power switch is in the ON position, the power tool will start operating immediately, which could cause a serious accident.
- 3. Extension cord**  
When the work area is removed from the power source, use an extension cord of sufficient thickness an rated capacity. The extension cord should be kept as short as practicable.
- 4. Attach the sanding belt**  
For details, refer to the section on "Sanding Belt Assembly".

**HOW TO HANDLE SANDING BELT**

**CAUTION:**

Be sure to switch power OFF and disconnect the plug from the receptacle to avoid serious trouble.

**1. How to attach sanding belt**

- (1) Pull lever with finger, idle pulley will then move backward. (Fig. 1)
- (2) Place on drive pulley and idle pulley passing it over the outside of shoe plate and making sure that arrow on inside of belt coincides with rotational direction of drive pulley. (Fig. 2)
- (3) Push lever with finger, idle pulley will then move forward and give proper tension to sanding belt. In this case, be careful not to be hit your finger by lever.  
Then, adjust sanding belt position.

**CAUTION:**

Sanding belt installed in the wrong direction will lower work efficiency and shorten life of sanding belt.

**2. How to remove sanding belt**

Pull lever with finger, sanding belt will then sag and can be taken off pulleys easily.

**DUST REMOVAL**

When an excessive amount of dust is deposited in the dust bag, dust-collecting efficiency will sharply drop. Remove dust from the bag when it is deposited up to about 2/3 the bag capacity, where by dust collecting efficiency (as well as working efficiency) will be ensured. Remove dust from the bag as follows:

- (1) Loosen the support bar and remove the dust bag. (Fig. 5)
- (2) The bag inlet can be opened by unzipping the slide fastener.

**HOW TO USE THE BELT SANDER****1. How to adjust sanding position.**

Push switch and turn sanding belt to check position. Adjust sanding belt so that both edges protrude 1.6mm – 3mm past edges of pulleys.

If sanding belt is operated too far on the inside, it may cause abrasion and damage machine. Adjust sanding belt position by turning adjust screw. (Fig. 3)

- Turn adjust screw clockwise to move belt in.
- Turn adjust screw counterclockwise to move belt out.

**CAUTION:**

If sanding belt moves during operation, adjustment can be made while in operation.

**2. To turn on switch**

Turn on switch while holding machine away from surface to be worked on. If machine is placed on surface when switch is pushed, surface may be badly scratched.

The same applies when stopping the machine.

**3. How to hold machine**

Grasp handle and handle knob and hold machine against surface to be worked on so that it contacts surface lightly.

Weight of machine itself is sufficient for sanding and polishing at highest efficiency.

Do not apply any additional pressure, for this would place unnecessary load on motor, shorten life of sanding belt and lower work efficiency.(Fig. 4)

**4. How to move machine**

Move machine forward first and then backward, repeating this motion.(Fig. 4)

**5. How to select proper sanding belt**

Choose sanding belt of proper grain size and grain type for your specific purpose, by referring to **Table 2** and **3** below.

**Table 2**

Derived finish	Proper grain size
Coarse finish	40
Medium finish	40 – 100
Fine finish	100 – 240

**Table 3**

Grain type	Surface to be worked on
AA	Steel, Wood
WA	Wood, Bamboo
CC	Nonferrous metals, Slate, Plastics, Concrete

**CAUTION:**

- For grain sizes, refer to **Table 3**
- Sanding belt grain should be coarser than sandpaper used for manual work.
- Use sanding belt of same grain size until uniform surface is obtained. Changing grain sizes may result in poor finish.

**6. How to operate switch**

The power switch is turned ON when the trigger is pulled, and if the stopper is once depressed, the power switch becomes locked, allowing continuous operation.

The stopper can be released pulling the trigger. (Fig. 5)

**7. Adjusting the belt speed: SB10V2**

The Belt Sander is equipped with the electric control circuit which enables stepless speed control. To adjust the speed, turn the dial shown in **Fig. 6**. When the dial is set to "1", the belt sander operates at the minimum speed. When the dial is set to "5", the belt sander operates at the maximum speed.

**8. How to work on corner**

Corners can be sanded and polished by using machine as in **Fig. 7**.

**MAINTENANCE AND INSPECTION****1. Inspecting the sanding belt**

Since continued use of a worn-out sanding belt will degrade efficiency, replace the sanding belt as soon as excessive abrasion is noted.

**2. Inspecting the mounting screws**

Regularly inspect all mounting screws and ensure that they are properly tightened. Should any of the screws be loose, retighten them immediately. Failure to do so could result in serious hazard.

**3. Maintenance of the motor**

The motor unit winding is the very "heart" of the power tool.

Exercise due care to ensure the winding does not become damaged and/or wet with oil or water.

## English

#### 4. Inspecting the carbon brushes

For your continued safety and electrical shock protection, carbon brush inspection and replacement on this tool should ONLY be performed by a Hitachi Authorized Service Center.

#### 5. Replacing supply cord

If the supply cord of Tool is damaged, the Tool must be returned to Hitachi Authorized Service Center for the cord to be replaced.

#### 6. Service parts list

A: Item No.

B: Code No.

C: No. Used

D: Remarks

#### CAUTION

Repair, modification and inspection of Hitachi Power Tools must be carried out by a Hitachi Authorized Service Center.

This Parts List will be helpful if presented with the tool to the Hitachi Authorized Service Center when requesting repair or other maintenance.

In the operation and maintenance of power tools, the safety regulations and standards prescribed in each country must be observed.

#### MODIFICATIONS

Hitachi Power Tools are constantly being improved and modified to incorporate the latest technological advancements.

Accordingly, some parts (i.e. code numbers and/or design) may be changed without prior notice.

---

#### GUARANTEE

---

We guarantee Hitachi Power Tools in accordance with statutory/country specific regulation. This guarantee does not cover defects or damage due to misuse, abuse, or normal wear and tear. In case of complaint, please send the Power Tool, undismantled, with the GUARANTEE CERTIFICATE found at the end of this Handling instruction, to a Hitachi Authorized Service Center.

---

#### NOTE:

Due HITACHI's continuing program of research and development, the specifications herein are subject to change without prior notice.

---

#### Information concerning airborne noise and vibration

The measured values were determined according to EN60745 and declared in accordance with ISO 4871.

The typical A-weighted sound power level: 101 dB (A).  
The typical A-weighted sound pressure level: 90 dB (A).  
Uncertainty KpA: 3 dB (A).

Wear ear protection.

The typical weighted root mean square acceleration value does not exceed 2.5 m/s<sup>2</sup>.

---

---



## ALLGEMEINE SICHERHEITSHINWEISE FÜR ELEKTROGERÄTE

### **⚠️ WARNUNG**

Lesen Sie sämtliche Sicherheitshinweise und Anweisungen durch. Wenn die Warnungen und Anweisungen nicht befolgt werden, kann es zu Stromschlag, Brand und/oder ernsthaften Verletzungen kommen.

Bitte bewahren Sie alle Warnhinweise und Anweisungen zum späteren Nachschlagen auf.

Der Begriff „Elektrowerkzeug“ bezieht sich in den Warnhinweisen auf Elektrowerkzeuge mit Netz- (schnurgebunden) oder Akkubetrieb (schnurlos).

#### 1) Sicherheit im Arbeitsbereich

- a) Sorgen Sie für einen sauberen und gut ausgeleuchteten Arbeitsbereich.  
*Zugestellte oder dunkle Bereiche ziehen Unfälle förmlich an.*
- b) Verwenden Sie Elektrowerkzeuge niemals an Orten, an denen Explosionsgefahr besteht – zum Beispiel in der Nähe von leicht entflammaren Flüssigkeiten, Gasen oder Stäuben.  
*Bei der Arbeit mit Elektrowerkzeugen kann es zu Funkenbildung kommen, wodurch sich Stäube oder Dämpfe entzünden können.*
- c) Sorgen Sie bei der Arbeit mit Elektrowerkzeugen dafür, dass sich keine Zuschauer (insbesondere Kinder) in der Nähe befinden.  
*Wenn Sie abgelenkt werden, können Sie die Kontrolle über das Werkzeug verlieren.*

#### 2) Elektrische Sicherheit

- a) Elektrowerkzeuge müssen mit passender Stromversorgung betrieben werden.  
Nehmen Sie niemals irgendwelche Änderungen am Anschlussstecker vor.  
Verwenden Sie bei Elektrowerkzeugen mit Schutzkontakt (geerdet) niemals Adapterstecker.  
*Stecker im Originalzustand und passende Steckdosen reduzieren das Stromschlagrisiko.*
- b) Vermeiden Sie Körperkontakt mit geerdeten Gegenständen wie Rohrleitungen, Heizungen, Herden oder Kühlschränken.  
*Bei Körperkontakt mit geerdeten Gegenständen besteht ein erhöhtes Stromschlagrisiko.*
- c) Setzen Sie Elektrowerkzeuge niemals Regen oder sonstiger Feuchtigkeit aus.  
*Wenn Flüssigkeiten in ein Elektrowerkzeug eindringen, erhöht sich das Stromschlagrisiko.*
- d) Verwenden Sie die Anschlusschnur nicht missbräuchlich.  
Tragen Sie das Elektrowerkzeug niemals an der Anschlusschnur, ziehen Sie es nicht damit heran und ziehen Sie den Stecker nicht an der Anschlusschnur aus der Steckdose.  
Halten Sie die Anschlusschnur von Hitzequellen, Öl, scharfen Kanten und beweglichen Teilen fern.  
*Beschädigte oder verdrehte Anschlusschnüre erhöhen das Stromschlagrisiko.*
- e) Wenn Sie ein Elektrowerkzeug im Freien benutzen, verwenden Sie ein für den Außeneinsatz geeignetes Verlängerungskabel.  
*Ein für den Außeneinsatz geeignetes Kabel vermindert das Stromschlagrisiko.*
- f) Falls sich der Betrieb des Elektrowerkzeuges in feuchter Umgebung nicht vermeiden lässt, verwenden Sie eine Stromversorgung mit Fehlerstromschutzeinrichtung (Residual Current Device, RCD).  
*Durch den Einsatz einer Fehlerstromschutzeinrichtung wird das Risiko eines elektrischen Schlages reduziert.*

#### 3) Persönliche Sicherheit

- a) Bleiben Sie wachsam, achten Sie auf das, was Sie tun, und setzen Sie Ihren Verstand ein, wenn Sie mit Elektrowerkzeugen arbeiten.  
Benutzen Sie keine Elektrowerkzeuge, wenn Sie müde sind oder unter Einfluss von Drogen, Alkohol oder Medikamenten stehen.  
*Bei der Arbeit mit Elektrowerkzeugen können bereits kurze Phasen der Unaufmerksamkeit zu schweren Verletzungen führen.*
  - b) Benutzen Sie eine persönliche Schutzausrüstung. Tragen Sie immer einen Augenschutz.  
*Schutzausrüstung wie Staubmaske, rutschsichere Sicherheitsschuhe, Schutzhelm und Gehörschutz senken das Verletzungsrisiko bei angemessenem Einsatz.*
  - c) Vermeiden Sie unbeabsichtigten Anlauf. Achten Sie darauf, dass sich der Schalter in der Aus- (Off-) Position befindet, ehe Sie das Gerät mit der Stromversorgung und/oder Batteriestromversorgung verbinden, es aufheben oder herumtragen.  
*Das Herumtragen von Elektrowerkzeugen mit dem Finger am Schalter oder das Herstellen der Stromversorgung bei betätigtem Schalter zieht Unfälle regelrecht an.*
  - d) Entfernen Sie sämtliche Einstellwerkzeuge (Einstellschlüssel), ehe Sie das Elektrowerkzeug einschalten.  
*Ein an einem beweglichen Teil des Elektrowerkzeugs angebrachter Schlüssel kann zu Verletzungen führen.*
  - e) Sorgen Sie für einen festen Stand. Achten Sie jederzeit darauf, sicher zu stehen und das Gleichgewicht zu bewahren.  
*Dadurch haben Sie das Elektrowerkzeug in unerwarteten Situationen besser im Griff.*
  - f) Kleiden Sie sich richtig. Tragen Sie keine lose Kleidung oder Schmuck. Halten Sie Haar, Kleidung und Handschuhe von beweglichen Teilen fern.  
*Lose Kleidung, Schmuck oder langes Haar kann von beweglichen Teilen erfasst werden.*
  - g) Wenn Anschlüsse für Staubabsaug- und -sammelvorrichtungen vorhanden sind, sorgen Sie dafür, dass diese richtig angeschlossen und eingesetzt werden.  
*Durch Entfernen des Staubes können staubbezogene Gefahren vermindert werden.*
- #### 4) Einsatz und Pflege von Elektrowerkzeugen
- a) Überansprechen Sie Elektrowerkzeuge nicht. Benutzen Sie das richtige Elektrowerkzeug für Ihren Einsatzzweck.  
*Das richtige Elektrowerkzeug erledigt seine Arbeit bei bestimmungsgemäßem Einsatz besser und sicherer.*
  - b) Benutzen Sie das Elektrowerkzeug nicht, wenn es sich nicht am Schalter ein- und ausschalten lässt.  
*Jedes Elektrowerkzeug, das nicht mit dem Schalter betätigt werden kann, stellt eine Gefahr dar und muss repariert werden.*
  - c) Stecken Sie den Stecker der Stromversorgung oder Batteriestromversorgung vom Gerät ab, ehe Sie Einstellarbeiten vornehmen, Zubehörteile tauschen oder das Elektrowerkzeug verstauen.  
*Solche präventiven Sicherheitsmaßnahmen verhindern den unbeabsichtigten Anlauf des Elektrowerkzeugs und die damit verbundenen Gefahren.*
  - d) Lagern Sie nicht benutzte Elektrowerkzeuge außerhalb der Reichweite von Kindern, lassen Sie nicht zu, dass Personen das Elektrowerkzeug bedienen, die nicht mit dem Werkzeug selbst und/oder diesen Anweisungen vertraut sind.  
*Elektrowerkzeuge in ungeschulten Händen sind gefährlich.*
  - e) Halten Sie Elektrowerkzeuge in Stand. Prüfen Sie auf Fehlausrichtungen, sicheren Halt und Leichtgängigkeit beweglicher Teile, Beschädigungen von Teilen und auf jegliche andere Zustände, die sich auf den Betrieb des Elektrowerkzeugs auswirken können.

Bei Beschädigungen lassen Sie das Elektrowerkzeug reparieren, ehe Sie es benutzen.

Viele Unfälle mit Elektrowerkzeugen sind auf schlechte Wartung zurückzuführen.

- f) Halten Sie Schneidwerkzeuge scharf und sauber.  
Richtig gewartete Schneidwerkzeuge mit scharfen Schneidkanten bleiben weniger häufig hängen und sind einfacher zu beherrschen.
- g) Benutzen Sie Elektrowerkzeuge, Zubehör, Werkzeugschneiden und Ähnliches in Übereinstimmung mit diesen Anweisungen – beachten Sie dabei die jeweiligen Arbeitsbedingungen und die Art und Weise der auszuführenden Arbeiten.  
Der Gebrauch des Elektrowerkzeuges für andere als die vorgesehenen Anwendungen kann zu gefährlichen Situationen führen.

5) Service

- a) Lassen Sie Elektrowerkzeuge durch qualifizierte Fachkräfte und unter Einsatz passender, zugelassener Originalteile warten.  
Dies sorgt dafür, dass die Sicherheit des Elektrowerkzeuges nicht beeinträchtigt wird.

VORSICHT

Von Kindern und gebrechlichen Personen fernhalten.  
Werkzeuge sollten bei Nichtgebrauch außerhalb der Reichweite von Kindern und gebrechlichen Personen aufbewahrt werden.

TECHNISCHE DATEN

Modell	SB10V2	SB10S2
Spannung (je nach Gebiet)*	(110V, 220V, 230V, 240V) ~	
Leistungsaufnahme*	1020 W	
Band-Leerlauf-geschwindigkeit	240 – 420 m / min	420 m / min
Bandgröße	100 × 610 mm	
Gewicht (ohne Kabel)	5,2 kg	

\* Vergessen Sie nicht, die Produktangaben auf dem Typenschild zu überprüfen, da sich diese je nach Verkaufsgebiet ändern.

STANDARDZUBEHÖR

- (1) Endlosschleifband (Korngröße Nr. 80) ..... 1
  - (2) Staubsack ..... 1
- Das Standardzubehör kann ohne vorherige Bekanntmachung jederzeit geändert werden.

VORSICHTSMASSNAHMEN BEI DER BENUTZUNG DER BANDSCHLEIFER

ACHTUNG

Machen Sie vor dem Schleifen mit den zu bearbeitenden Materialien vertraut.

Falls beim Schleifen voraussichtlich schädliche oder gar giftige Stäube freigesetzt werden könnten – wie beim Bearbeiten von Bleifarben, Holz oder Metallen – achten Sie darauf, dass der Staubfangbehälter oder ein geeignetes Staubabsaugsystem dicht mit dem Staubauslass verbunden ist.

Tragen Sie zusätzlich eine Staubschutzmaske, wenn vorhanden.

Atmen Sie keine beim Schleifen entstehenden schädlichen oder gar giftigen Stäube ein – der Staub kann Ihre und die Gesundheit von Zuschauern gefährden.

SONDERZUBEHÖR (separat zu beziehen)

1. Endlosschleifbänder

Tabelle 1

Korngröße	Kornart
40	AA, WA, CC
60	AA, WA, CC
80	AA, WA, CC
100	AA, WA, CC
120	AA, WA, CC
150	AA, WA, CC
180	AA, WA, CC
240	AA, WA, CC

ANMERKUNG:

Die Endlosschleifbänder werden in Paketen von 10 Stück pro Typ verkauft. Bei einer Bestellung ist die gewünschte Kornart und Korngröße anzugeben.

## 2. Fester Ständer

Beim Schleifen kleiner Gegenstände ist ein fester Ständer zur Erleichterung der Arbeit zu verwenden.

Das Sonderzubehör kann ohne vorherige Bekanntmachung jederzeit geändert werden.

## ANWENDUNGSGEBIETE

- Feinschleifen und Abschleifen von Holzbauprodukten.
- Politur der Unterlage von holzbeschichteten Flächen.
- Feinschliff von Metallflächen.
- Politur der Unterlage von metallbeschichteten Flächen, Rostentfernung oder Entfernung von Farbe vor der Nachbearbeitung.
- Oberflächenbearbeitung von Schiefer, Beton und ähnlichen Materialien.

## VOR INBETRIEBNAHME

### 1. Netzspannung

Prüfen, daß die zu verwendende Netzspannung der Angabe auf dem Typenschild entspricht.

### 2. Netzschalter

Prüfen, daß der Netzschalter auf AUS steht. Wenn der Stecker an das Netz angeschlossen wird, während der Schalter auf EIN steht, beginnt das Werkzeug sofort zu laufen, was gefährlich ist.

### 3. Verlängerungskabel

Wenn der Arbeitsbereich nicht in der Nähe des Netzanschlusses liegt, ist ein Verlängerungskabel ausreichenden Querschnitts und ausreichender Nennleistung zu verwenden. Das Verlängerungskabel sollte so kurz wie möglich gehalten werden.

### 4. Das Schleifband anbringen.

Bezüglich Einzelheiten siehe Abschnitt "Anbringen des Schleifbandes".

## BEDIENUNG DES SCHLEIFBANDS

### ACHTUNG:

Achten Sie darauf, die Stromversorgung auf OFF zu stellen, und ziehen Sie den Stecker aus der Steckdose, um größere Schäden zu vermeiden.

### 1. Befestigung des Schleifbands

- (1) Ziehen Sie den Hebel mit dem Finger, um die Losrolle nach hinten zu verschieben. (**Abb. 1**)
- (2) Platzieren Sie diese auf die Antriebs Scheibe, um sie leer über das Äußere der Schuhplatte zu bewegen. Achten Sie darauf, dass der Pfeil im Riemeninneren mit der Drehbewegung der Antriebs Scheibe übereinstimmt. (**Abb. 2**)
- (3) Drücken Sie den Hebel mit dem Finger. Die Losrolle wird dann vorwärts bewegt, um dem Schleifband die erforderliche Spannung zu verleihen. Achten Sie in diesem Fall darauf, dass Ihr Finger nicht vom Hebel getroffen wird. Passen Sie dann die Position des Schleifbands an.

### VORSICHT:

Wird das Schleifband in falscher Richtung montiert, wird die Effizienz gesenkt und die Lebensdauer verkürzt.

### 2. Entfernen des Schleifbands

Ziehen Sie den Hebel mit dem Finger, damit das Schleifband durchhängt und leicht entnommen werden kann.

## ENTFERNEN VON STAUB

Befindet sich im Staubbeutel übermäßig viel Staub, sinkt die Effizienz für die Staubsammlung deutlich ab.

Der Staubbeutel ist zu entleeren, sobald er zu ungefähr 2/3 der Kapazität gefüllt ist. In diesem Fall ist die Staubsammlung (sowie die Arbeitseffizienz) gewährleistet. Entfernen Sie den Staub wie folgt aus den Beuteln:

- (1) Lösen Sie die Trägerstange und entfernen Sie den Staubbeutel. (**Abb. 5**)
- (2) Öffnen Sie den Reißverschluss, um den Beuteleinlass zu öffnen.

## VERWENDUNG DES SCHLEIFBANDS

### 1. Anpassung der Schleifposition.

Drücken Sie auf den Schalter und drehen Sie das Schleifband, um die Position zu prüfen. Passen Sie das Schleifband an, damit beide Enden 1,6 mm – 3 mm über die Enden der Hebel hinausragen.

Wird das Schleifband zu weit im Inneren bedient, kann es zu einer Abnutzung durch Reibung und Beschädigungen der Maschine führen.

Passen Sie die Position des Schleifbands mithilfe der Justierschraube (**Abb. 3**) an.

- Drehen Sie die Schraube im Uhrzeigersinn, um den Riemen hineinzubewegen.
- Drehen Sie die Schraube gegen den Uhrzeigersinn, um den Riemen herauszubewegen.

### VORSICHT:

Bewegt sich das Schleifband während des Betriebs, kann die Einstellung während des Betriebs erfolgen.

### 2. Schalter einschalten

Schalten Sie die Maschine ein, und heben Sie diese von der zu bearbeiteten Fläche weg. Wird die Maschine während dem Einschalten auf eine Oberfläche gelegt, kann diese stark verkratzt werden. Dies gilt auch für das Ausschalten der Maschine.

### 3. Halten der Maschine

Halten Sie den Griff, den Griffknopf und die Maschine gegen die zu bearbeitete Fläche, bis ein leichter Kontakt hergestellt ist.

Das Gewicht der Maschine ist ausreichend, um mit höchster Effizienz Schleif- und Poliervorgänge auszuführen.

Üben Sie keinen zusätzlichen Druck aus, da dies zu einem unnötigen Druck auf den Motor führen würde, wodurch die Lebensdauer des Schleifbands verkürzt und die Arbeitsleistung gemindert wird. (**Abb. 4**)

### 4. Bewegen der Maschine

Bewegen Sie die Maschine zunächst nach vorne, dann nach hinten, und wiederholen Sie diese Bewegung. (**Abb. 4**)

### 5. Auswahl eines geeigneten Schleifbands

Wählen Sie für Ihre Anwendung die korrekte Korngröße und Kornart des Schleifbands gemäß untenstehender **Tabellen 2** und **3** aus.

**Tabelle 2**

Abgeleitete Ausführung	Geeignete Korngröße
Grobe Ausführung	40
Mittlere Ausführung	40 – 100
Feine Ausführung	100 – 240

**Tabelle 3**

Kornart	Zu bearbeitete Fläche
AA	Stahl, Holz
WA	Holz, Bambus
CC	Nichteisen-Metalle, Schiefer, Kunststoffe, Beton

**VORSICHT:**

- Die Werte für die Korngröße finden Sie in **Tabelle 3**
- Das Korn des Schleifbands muss gröber sein als das Schleifpapier, das für manuelle Arbeiten verwendet wird.
- Wenn eine einheitliche Fläche erzielt werden soll, verwenden Sie für das Schleifband dieselbe Korngröße. Das Wechseln von Korngrößen kann zu einer schlechten Ausführung führen.

**6. Bedienung des Schalters**

Wenn der Abzugsschalter gedrückt ist, ist die Maschine auf ON geschaltet. Wird der Anschlag einmal gedrückt, wird die EIN-/AUS-Taste gesperrt, und die Maschine kann dauerhaft betrieben werden. Ziehen Sie den Abzug, um den Anschlag zu lösen. (**Abb. 5**)

**7. Anpassung der Bandgeschwindigkeit: SB10V2**

Die Bandschleifmaschine ist mit elektrischem Steuerstrom ausgestattet, wodurch eine stufenlose Geschwindigkeitskontrolle ermöglicht wird. Wenn Sie die Geschwindigkeit anpassen möchten, drehen Sie die Wählscheibe wie in **Abb. 6** dargestellt. Ist die Wählscheibe auf "1" eingestellt, wird das Schleifband mit Mindestgeschwindigkeit betrieben. Ist die Wählscheibe auf "5" eingestellt, wird das Schleifband mit Maximalgeschwindigkeit betrieben.

**8. Bearbeitung von Ecken**

Beachten Sie zum Schleifen und Polieren von Ecken die Anwendungshinweise in **Abb. 7**.

**WARTUNG UND INDEPEKTION**

**1. Inspektion des Schleifbandes:**

Da die Benutzung eines verschlissenen Schleifbandes den Wirkungsgrad vermindert, ist der Austausch des Schleifbandes zu empfehlen, sobald übermäßiger Verschleiß festgestellt wird.

**2. Inspektion der Befestigungsschrauben**

Alle Befestigungsschrauben werden regelmäßig inspiziert und geprüft, daß sie richtig angezogen sind. Wenn sich eine der Schrauben lockert, muß sie sofort wieder angezogen werden. Geschieht das nicht, kann das zu erheblicher Gefahr führen.

**3. Wartung des Motors**

Die Motorwicklung ist das "herz" des Elektrowerkzeugs. Daher ist besonders sorgfältig darauf zu achten, daß die Wicklung nicht beschädigt wird und/oder mit Öl oder Wasser in Berührung kommt.

**4. Inspektion der Kohlebürsten**

Zur Erhaltung Ihrer Sicherheit und des Schutzes gegen elektrischen Schlag sollten Inspektion und Auswechseln

der Kohlebürsten NUR durch ein Autorisiertes Hitachi-Wartungszentrum durchgeführt werden.

**5. Auswechseln des Netzkabels**

Wenn das Netzkabel des Werkzeugs beschädigt wird, muss das Werkzeug zum Auswechseln des Netzkabels an ein von Autorisiertes Hitachi-Wartungszentrum zurückgegeben werden.

**6. Liste der Wartungsteile**

- A: Punkt Nr.
- B: Code Nr.
- C: Verwendete Anzahl
- D: Bemerkungen

**ACHTUNG**

Reparatur, Modifikation und Inspektion von Hitachi-Elektrowerkzeugen müssen durch ein autorisiertes Hitachi-Kundendienstzentrum durchgeführt werden. Diese Teileliste ist hilfreich, wenn sie dem autorisierten Hitachi-Kundendienstzentrum zusammen mit dem Werkzeug für Reparatur oder Wartung ausgehändigt wird.

Bei Betrieb und Wartung von Elektrowerkzeugen müssen die Sicherheitsvorschriften und Normen beachtet werden.

**MODIFIKATIONEN**

Hitachi-Elektrowerkzeuge werden fortwährend verbessert und modifiziert, um die neuesten technischen Fortschritte einzubauen.

Dementsprechend ist es möglich, daß einige Teile (z.B. Codenummern bzw. Entwurf) ohne vorherige Benachrichtigung geändert werden.

**GARANTIE**

Auf Hitachi-Elektrowerkzeuge gewähren wir eine Garantie unter Zugrundelegung der jeweils geltenden gesetzlichen und landesspezifischen Bedingungen. Dieses Garantie erstreckt sich nicht auf Gehäusedefekte und nicht auf Schäden, die auf Missbrauch, bestimmungswidrigen Einsatz oder normalen Verschleiß zurückzuführen sind. Im Schadensfall senden Sie das nicht zerlegte Elektrowerkzeug zusammen mit dem GARANTIESCHEIN, den Sie am Ende der Bedienungsanleitung finden, an ein von Hitachi autorisiertes Servicecenter.

**ANMERKUNG:**

Aufgrund des ständigen Forschungs- und Entwicklungsprogramms von HITACHI sind Änderungen der hierin gemachten technischen Angaben nicht ausgeschlossen.

**Information über Betriebslärm und Vibration**

Die gemessenen Werte wurden entsprechend EN60745 bestimmt und in Übereinstimmung mit ISO 4871 ausgewiesen.

Der typische A-gewichtete Schalleistungspegel ist 101 dB (A).

Der typische A-gewichtete Schalldruck ist 90 dB (A).  
Messunsicherheit KpA: 3 dB (A)

Bei der Arbeit immer einen Ohrenschutz tragen.

Der typische gewichtete Effektiv-Beschleunigungswert überschreitet nicht 2,5 m/s<sup>2</sup>.

## ΓΕΝΙΚΕΣ ΠΡΟΕΙΔΟΠΟΙΗΣΕΙΣ ΑΣΦΑΛΕΙΑΣ ΗΛΕΚΤΡΙΚΟΥ ΕΡΓΑΛΕΙΟΥ

### ⚠ ΠΡΟΣΟΧΗ

Διαβάστε όλες τις προειδοποιήσεις ασφαλείας και όλες τις οδηγίες.

Η μη τήρηση των προειδοποιήσεων και οδηγιών μπορεί να προκαλέσει ηλεκτροπληξία, πυρκαγιά και/ή σοβαρό τραυματισμό.

**Φυλάξτε όλες τις προειδοποιήσεις και τις οδηγίες για μελλοντική αναφορά.**

Ο όρος "ηλεκτρικό εργαλείο" στις προειδοποιήσεις αναφέρεται στο ηλεκτρικό εργαλείο (με καλώδιο) που λειτουργεί στους αγωγούς ή στο ηλεκτρικό εργαλείο που λειτουργεί στη μπαταρία (χωρίς καλώδιο).

### 1) Ασφάλεια χώρου εργασίας

- Διατηρείτε το χώρο εργασίας καθαρό και καλά φωτισμένο.**  
Σε ακατάστατες ή σκοτεινές περιοχές μπορεί να προκληθούν ατυχήματα.
- Μην χρησιμοποιείτε τα ηλεκτρικά εργαλεία σε περιβάλλον, στο οποίο μπορεί να προκληθεί έκρηξη, όπως παρουσία εύφλεκτων υγρών, αερίων ή σκόνης.**  
Τα ηλεκτρικά εργαλεία δημιουργούν σπινθήρες, οι οποίοι μπορεί να αναφλέξουν τη σκόνη ή τον καπνό.
- Κρατήστε τα παιδιά και τους παρευρισκόμενους μακριά όταν χρησιμοποιείτε ένα ηλεκτρικό εργαλείο.**  
Αν αποσπαστεί η προσοχή σας, υπάρχει κίνδυνος να χάσετε τον έλεγχο.

### 2) Ηλεκτρική ασφάλεια

- Τα φως των ηλεκτρικών εργαλείων πρέπει να είναι κατάλληλα για τις πρίζες.**  
Μην τροποποιήσετε ποτέ το φως με οποιονδήποτε τρόπο. Μην χρησιμοποιείτε φως προσαρμογής με γειωμένα ηλεκτρικά εργαλεία.  
Τα μη τροποποιημένα φως και οι κατάλληλες πρίζες μειώνουν τον κίνδυνο ηλεκτροπληξίας.
- Αποφύγετε τη σωματική επαφή με γειωμένες επιφάνειες όπως σωλήνες, θερμάστρες, μαγειρικές συσκευές και ψυγεία.**  
Υπάρχει αυξημένος κίνδυνος ηλεκτροπληξίας όταν το σώμα σας είναι γειωμένο.
- Μην εκθέτετε τα ηλεκτρικά εργαλεία στη βροχή ή σε συνθήκες υγρασίας.**  
Το νερό που εισέρχεται σε ένα ηλεκτρικό εργαλείο αυξάνει τον κίνδυνο ηλεκτροπληξίας.
- Μην ασκείτε δύναμη στο καλώδιο. Μην χρησιμοποιείτε ποτέ το καλώδιο για να μεταφέρετε, να τραβήξετε ή να βγάλετε από την πρίζα το ηλεκτρικό εργαλείο.**  
Κρατήστε το καλώδιο μακριά από θερμότητα, λάδι, κοφτερές γωνίες και κινούμενα μέρη.  
Τα κατεστραμμένα ή μπερδεμένα καλώδια αυξάνουν τον κίνδυνο ηλεκτροπληξίας.
- Όταν χρησιμοποιείτε το εργαλείο σε εξωτερικό χώρο, χρησιμοποιήστε καλώδιο προέκτασης που προορίζεται για χρήση σε εξωτερικό χώρο.**  
Η χρήση ενός καλωδίου κατάλληλου για εξωτερικό χώρο μειώνει τον κίνδυνο ηλεκτροπληξίας.
- Αν είναι αναπόφευκτη η λειτουργία ενός ηλεκτρικού εργαλείου σε χώρο με υγρασία, χρησιμοποιείτε διάταξη προστασίας ρεύματος διαρροής (RCD).**  
Η χρήση της RCD μειώνει τον κίνδυνο ηλεκτροπληξίας.

### 3) Προσωπική ασφάλεια

- Να είστε σε ετοιμότητα, να βλέπετε αυτό που κάνετε και να χρησιμοποιείτε την κοινή λογική όταν χρησιμοποιείτε ένα ηλεκτρικό εργαλείο.**

**Μη χρησιμοποιείτε ηλεκτρικά εργαλεία όταν είστε κουρασμένοι ή υπό την επίδραση ναρκωτικών ουσιών, οινοπνεύματος ή φαρμάκων.**

Μια στιγμή απροσεξίας κατά τη χρήση ενός ηλεκτρικού εργαλείου μπορεί να προκαλέσει σοβαρό προσωπικό τραυματισμό.

- Χρησιμοποιείτε προσωπικό προστατευτικό εξοπλισμό. Φοράτε πάντα προστασία για τα μάτια.**  
Ο προστατευτικός εξοπλισμός, όπως μάσκα για τη σκόνη, αντιολισθητικά παπούτσια, σκληρό καπέλο ή προστασία για τα αυτιά, που χρησιμοποιείται για ανάλογες συνθήκες μπορεί να μειώσει τους τραυματισμούς.
  - Προλαμβάνετε τυχόν ακούσια εκκίνηση. Βεβαιωθείτε ότι ο διακόπτης είναι σε θέση απενεργοποίησης πριν συνδέσετε τη συσκευή με πηγή ρεύματος και/ή τη θήκη της μπαταρίας, πριν σηκώσετε ή μεταφέρετε το εργαλείο.**  
Η μεταφορά ηλεκτρικού εργαλείου με τα δάχτυλά σας στο διακόπτη ή η ηλεκτροδότηση ηλεκτρικού εργαλείου με ενεργοποιημένο το διακόπτη μπορεί να προκαλέσουν ατυχήματα.
  - Να αφαιρείτε τυχόν κλειδιά ρυθμιζόμενου ανοίγματος ή τα απλά κλειδιά πριν θέσετε σε λειτουργία το ηλεκτρικό εργαλείο.**  
Ένα απλό κλειδί ή ένα κλειδί ρυθμιζόμενου ανοίγματος που είναι προσαρτημένο σε περιστρεφόμενο εξάρτημα του ηλεκτρικού εργαλείου μπορεί να προκαλέσει προσωπικό τραυματισμό.
  - Μην τεντώνετε. Να διατηρείτε πάντοτε το κατάλληλο πάτημα και την ισορροπία σας.**  
Με αυτόν τον τρόπο μπορείτε να ελέγχετε καλύτερα το ηλεκτρικό εργαλείο σε μη αναμενόμενες καταστάσεις.
  - Να είστε ντυμένοι κατάλληλα. Μη φοράτε φαρδιά ρούχα ή κοσμήματα. Να κρατάτε τα μαλλιά σας, τα ρούχα σας και τα γάντια σας μακριά από κινούμενα μέρη.**  
Τα φαρδιά ρούχα, τα κοσμήματα και τα μακριά μαλλιά μπορεί να πιαστούν σε κινούμενα μέρη.
  - Αν παρέχονται εξαρτήματα για τη σύνδεση συσκευών εξαγωγής και συλλογής σκόνης, να βεβαιώνετε ότι είναι συνδεδεμένα και χρησιμοποιούνται με το σωστό τρόπο.**  
Η χρήση συλλέκτη σκόνης μειώνει τους κινδύνους που προέρχονται από τη σκόνη.
- 4) Χρήση και φροντίδα ηλεκτρικών εργαλείων
- Μην ασκείτε δύναμη στο ηλεκτρικό εργαλείο. Να χρησιμοποιείτε το ηλεκτρικό εργαλείο που είναι κατάλληλο για το είδος της εργασίας που εκτελείτε.**  
Το κατάλληλο ηλεκτρικό εργαλείο θα εκτελέσει την εργασία καλύτερα και με μεγαλύτερη ασφάλεια με τον τρόπο που σχεδιάστηκε.
  - Μη χρησιμοποιήσετε το ηλεκτρικό εργαλείο αν ο διακόπτης λειτουργίας δεν ανοίγει και δεν κλείνει.**  
Ένα ηλεκτρικό εργαλείο που δεν ελέγχεται από το διακόπτη λειτουργίας είναι επικίνδυνο και πρέπει να επισκευαστεί.
  - Αποσυνδέετε το βύσμα από την πηγή ισχύος και/ή τη θήκη μπαταρίας από το ηλεκτρικό εργαλείο πριν προθείτε σε ρυθμίσεις, αλλαγή εξαρτήματος ή αποθήκευση του ηλεκτρικού εργαλείου.**  
Αυτά τα προληπτικά μέτρα ασφαλείας μειώνουν τον κίνδυνο να ξεκινήσει το ηλεκτρικό εργαλείο κατά λάθος.
  - Αποθηκεύετε τα εργαλεία που δεν χρησιμοποιείτε μακριά από παιδιά και μην αφήνετε τα άτομα που δεν είναι εξοικειωμένα με το ηλεκτρικό εργαλείο ή με αυτές τις οδηγίες να χρησιμοποιούν το ηλεκτρικό εργαλείο.**  
Τα ηλεκτρικά εργαλεία είναι επικίνδυνα στα χέρια μη εκπαιδευμένων ατόμων.

## Ελληνικά

- e) Συντηρείτε τα ηλεκτρικά εργαλεία. Να ελέγχετε την ευθυγράμμιση τους ή το μπλοκάρισμα των κινούμενων μερών, τη θραύση των εξαρτημάτων και οποιαδήποτε άλλη κατάσταση που ενδέχεται να επηρεάσει τη λειτουργία του ηλεκτρικού εργαλείου.  
Σε περίπτωση θλάξης, το ηλεκτρικό εργαλείο πρέπει να επισκευαστεί πριν χρησιμοποιηθεί.  
Πολλά ατυχήματα προκαλούνται από ηλεκτρικά εργαλεία που δεν έχουν συντηρηθεί σωστά.
- f) Διατηρείτε τα εργαλεία κοπής καθαρά.  
Τα κατάλληλα συντηρημένα εργαλεία κοπής με κοφτερές γωνίες μπλοκάρουν πιο δύσκολα και ελέγχονται πιο εύκολα.
- g) Χρησιμοποιείτε το ηλεκτρικό εργαλείο, τα εξαρτήματα και τα μέρη κ.τ.λ. σύμφωνα με τις παρούσες οδηγίες, λαμβάνοντας υπόψη τις συνθήκες εργασίας και την εργασία που θα εκτελέσετε.  
Η χρήση του ηλεκτρικού εργαλείου για εργασίες πέρα από εκείνες για τις οποίες προορίζεται, ενδέχεται να δημιουργήσει κινδύνους.
- 5) Σέρβις
- a) Να δίνετε το ηλεκτρικό εργαλείο για σέρβις σε κατάλληλα εκπαιδευμένα άτομα και να χρησιμοποιείτε μόνο γνήσια ανταλλακτικά.  
Με αυτόν τον τρόπο είστε σίγουροι για την ασφάλεια του ηλεκτρικού εργαλείου.

### ΠΡΟΦΥΛΑΞΗ

Μακριά από τα παιδιά και τους αναπήρους.  
Όταν δεν χρησιμοποιούνται, τα εργαλεία πρέπει να φυλάζονται μακριά από τα παιδιά και τους αναπήρους.

### ΜΕΤΡΑ ΑΣΦΑΛΕΙΑΣ ΓΙΑ ΤΗ ΧΡΗΣΗ ΕΡΓΑΛΕΙΟΥ ΛΕΙΑΝΣΗΣ ΜΕ ΙΜΑΝΤΑ

#### ΠΡΟΣΟΧΗ

Πριν την εργασία λείανσης ελέγξτε το υλικό προς λείανση.

Αν αναμένεται η δημιουργία επιβλαβούς / τοξικής σκόνης, όπως μολυβδούχων χρωμάτων, ξύλων και μετάλλου κατά την εργασία λείανσης, βεβαιωθείτε ότι έχετε συνδέσει καλά την σακούλα σκόνης ή το κατάλληλο σύστημα εξαγωγής σκόνης στην έξοδο σκόνης.

Να φοράτε επιπλέον μάσκα σκόνης, ένα υπάρχει.

Μην εισπνέετε ή αγγίζετε την επιβλαβή / τοξική σκόνη που δημιουργείται κατά την εργασία λείανσης. Η σκόνη μπορεί να θέσει σε κίνδυνο την υγεία σας και αυτή των παρευρισκομένων.

### ΠΡΟΔΙΑΓΡΑΦΕΣ

Μοντέλο	SB10V2	SB10S2
Τάση (ανά περιοχή)	(110V, 220V, 230V, 240V) ~	
Είσοδος*	1020 W	
Ταχύτητα ιμάντα άνευ φορτίου	240 – 420 m / min	420 m / min
Μέγεθος γυαλόχαρτου ιμάντα	100 × 610 mm	
Βάρος (χωρίς καλώδιο)	5,2 kg	

\* Ελέγξτε την ετικέτα στο προβόν καθώς υπάγεται σε αλλαγές από περιοχή σε περιοχή.

### ΤΥΠΙΚΑ ΕΞΑΡΤΗΜΑΤΑ

- (1) Ατέρμων ιμάντας λείανσης (μέγεθος γυαλόχαρτου: #80) ..... 1  
(2) Σακούλα σκόνης ..... 1  
Τα τυπικά εξαρτήματα υπάγονται σε αλλαγές δίχως προηγούμενη ειδοποίηση.

### ΠΡΟΑΙΡΕΤΙΚΑ ΕΞΑΡΤΗΜΑΤΑ – πωλούνται ξεχωριστά

#### 1. Ατέρμονοι ιμάντες λείανσης

##### Πίνακας 1

Μέγεθος γυαλόχαρτου	Τύπος γυαλόχαρτου
40	AA, WA, CC
60	AA, WA, CC
80	AA, WA, CC
100	AA, WA, CC
120	AA, WA, CC
150	AA, WA, CC
180	AA, WA, CC
240	AA, WA, CC

**ΣΗΜΕΙΩΣΗ:**

Ο ατέρμων ιμάντας λείανσης πωλείται σε πακέτα των 10 ιμάντων ίδιου τύπου. Κατά την παραγγελία, καθορίστε τον τύπο του γυαλόχαρτου και το μέγεθος του γυαλόχαρτου που επιθυμείτε.

**2. Σταθερή βάση**

Κατά τη λείανση μικρών αντικειμένων, χρησιμοποιήστε σταθερή βάση για μεγαλύτερη άνεση.

Τα προαιρετικά εξαρτήματα υπάρχει περίπτωση να αλλάξουν χωρίς προειδοποίηση.

**ΕΦΑΡΜΟΓΕΣ**

- Τελείωμα λείανσης και τελείωμα κατασκευής δαπέδου με προϊόντα ξύλου.
- Στίλβωση βάσης επενδυμένων με ξύλο επιφανειών.
- Τελείωμα λείανσης μεταλλικών επιφανειών.
- Στίλβωση βάσης επενδυμένων με μέταλλο επιφανειών, αφαίρεση σκουριάς ή αφαίρεση χρώματος πριν το τελείωμα.
- Τελείωμα επιφανειών υλικών από σχιστόλιθο, σκυρόδεμα και παρόμοια προϊόντα.

**ΠΡΙΝ ΤΗ ΛΕΙΤΟΥΡΓΙΑ****1. Πηγή ρεύματος**

Βεβαιωθείτε ότι η πηγή ρεύματος που πρόκειται να χρησιμοποιηθεί είναι εναρμονισμένη με τις απαιτήσεις σε ρεύμα που αναφέρεται στην πινακίδα του εργαλείου.

**2. Διακόπτης ρεύματος**

Βεβαιωθείτε ότι ο διακόπτης ρεύματος βρίσκεται στη θέση OFF. Αν το βίσμα είναι στη μπρίζα καθώς ο διακόπτης ρεύματος βρίσκεται στο ON, το εργαλείο θα αρχίσει να λειτουργεί αμέσως, με πιθανότητα πρόκλησης σοβαρού ατυχήματος.

**3. Καλώδιο προέκτασης**

Όταν ο χώρος εργασίας βρίσκεται μακριά από την παροχή ρεύματος. Χρησιμοποιήστε ένα καλώδιο προέκτασης με κατάλληλο πάχος και ικανότητα μεταφοράς ρεύματος. Το καλώδιο προέκτασης πρέπει να είναι τόσο κοντό όσο είναι πρακτικά δυνατό.

**4. Σύνδεση ιμάντα λείανσης.**

Για λεπτομέρειες, ανατρέξτε στην ενότητα "Συναρμολόγηση ιμάντα λείανσης"

**ΧΕΙΡΙΣΜΟΣ ΙΜΑΝΤΑ ΛΕΙΑΝΣΗΣ****ΠΡΟΣΟΧΗ:**

Βεβαιωθείτε ότι έχετε απενεργοποιήσει το εργαλείο και έχετε αποσυνδέσει το βύσμα από την υποδοχή για αποφυγή σοβαρού προβλήματος.

**1. Πως να συνδέσετε τον ιμάντα λείανσης**

- (1) Τραβήξτε το μοχλό με το δάχτυλο προκειμένου η τροχαλία αδρανοποίησης να κινηθεί προς τα πίσω. (Σχ. 1)
- (2) Τοποθετήστε τον στην τροχαλία κίνησης και αδρανοποιήστε τον περνώντας τον πάνω από το εξωτερικό της πλάκας πέλματος και εξασφαλίζοντας ότι το βέλος στο εσωτερικό του ιμάντα συμπίπτει με την κατεύθυνση περιστροφής της τροχαλίας κίνησης. (Σχ. 2)

- (3) Ωθήστε το μοχλό με το δάχτυλο προκειμένου η τροχαλία αδρανοποίησης να κινηθεί προς τα εμπρός και να δώσει την κατάλληλη τάνυση στον ιμάντα λείανσης.

Σε αυτή την περίπτωση, προσέξτε ώστε να μην χτυπήσετε το δάχτυλό σας στο μοχλό. Στη συνέχεια, προσαρμόστε τη θέση του ιμάντα λείανσης.

**ΠΡΟΣΟΧΗ**

Αν ο ιμάντας λείανσης τοποθετηθεί στη λάθος κατεύθυνση θα μειώσει την απόδοση λειτουργίας και θα μικρύνει τη διάρκεια ζωής του ιμάντα λείανσης.

**2. Πως να αφαιρέσετε τον ιμάντα λείανσης**

Τραβήξτε το μοχλό με το δάχτυλο προκειμένου ο ιμάντας λείανσης να χαλαρώσει και να μπορεί να αφαιρεθεί από τις τροχαλίες με ευκολία.

**ΑΦΑΙΡΕΣΗ ΣΚΟΝΗΣ**

Όταν έχει αποθεθεί υπερβολική ποσότητα σκόνης στη σακούλα σκόνης, η απόδοση της συλλογής σκόνης μειώνεται αισθητά. Αφαιρέστε τη σκόνη από τη σακούλα όταν αυτή έχει γεμίσει μέχρι τα 2/3 περίπου, εξασφαλίζοντας έτσι την απόδοση της συλλογής σκόνης (καθώς και την απόδοση λειτουργίας).

Αφαιρέστε τη σκόνη από τη σακούλα ως εξής:

- (1) Χαλαρώστε τη μπάρα στήριξης και αφαιρέστε τη σακούλα σκόνης. (Σχ. 5)
- (2) Η είσοδος της σακούλας ανοίγεται με άνοιγμα του φερμουάρ.

**ΠΩΣ ΝΑ ΧΡΗΣΙΜΟΠΟΙΕΙΤΕ ΤΟ ΕΡΓΑΛΕΙΟ ΛΕΙΑΝΣΗΣ ΜΕ ΙΜΑΝΤΑ****1. Πως να ρυθμίσετε τη θέση λείανσης.**

Πιέστε το διακόπτη και στρέψτε τον ιμάντα λείανσης στη θέση ελέγχου. Προσαρμόστε τον ιμάντα λείανσης ώστε και οι δύο άκρες να προεξέχουν 1,6 mm - 3 mm από τις άκρες των τροχαλιών.

Αν ο ιμάντας λείανσης λειτουργεί τοποθετημένος αρκετά μέσα, αυτό μπορεί να προκαλέσει τριβή και να καταστρέψει το μηχάνημα.

Ρυθμίστε τη θέση του ιμάντα λείανσης στρέφοντας τον κοχλία ρύθμισης. (Σχ. 3)

- Στρέψτε τον κοχλία ρύθμισης δεξιόστροφα για να μετακινήσετε τον ιμάντα προς τα μέσα.
- Στρέψτε τον κοχλία ρύθμισης αριστερόστροφα για να μετακινήσετε τον ιμάντα προς τα έξω.

**ΠΡΟΣΟΧΗ**

Αν ο ιμάντας λείανσης κινείται κατά τη λειτουργία, η ρύθμιση μπορεί να διενεργηθεί κατά τη λειτουργία.

**2. Για να ενεργοποιήσετε το διακόπτη**

Ενεργοποιήστε το διακόπτη ενώ κρατάτε το μηχάνημα μακριά από την επιφάνεια εργασίας. Αν το μηχάνημα τοποθετηθεί στην επιφάνεια, όταν πιέσετε το διακόπτη, η επιφάνεια ενδέχεται να χαραχθεί βαθιά. Το ίδιο ισχύει και κατά την απενεργοποίηση του μηχανήματος.

## Ελληνικά

### 3. Πώς να κρατάτε το μηχάνημα

Πιάστε τη λαβή και το μπουτόν λαβής και κρατήστε το μηχάνημα ενάντια στην επιφάνεια εργασίας προκειμένου το μηχάνημα να αγγίζει την επιφάνεια ελαφρά.

Το βάρος του ίδιου του μηχανήματος επαρκεί για λείανση και στίλβωση μέγιστης απόδοσης.

Μην ασκείτε πρόσθετη πίεση καθώς αυτό μπορεί να επιβαρύνει με αχρείαστο φορτίο το μοτέρ, να μειώσει τη διάρκεια ζωής του ιμάντα λείανσης και να μειώσει την απόδοση λειτουργίας. (Σχ. 4)

### 4. Πώς να κινείτε το μηχάνημα

Κινείτε το μηχάνημα αρχικά προς τα εμπρός και στη συνέχεια προς τα πίσω, επαναλαμβάνοντας αυτή την κίνηση. (Σχ. 4)

### 5. Πώς να επιλέγετε τον κατάλληλο ιμάντα λείανσης

Επιλέγετε ιμάντα λείανσης με κατάλληλο μέγεθος και τύπο γυαλόχαρτου για κάθε σκοπό, αφού ανατρέξετε στον Πίνακα 2 και 3 παρακάτω.

Πίνακας 2

Παράγωγο τελείωμα	Κατάλληλο μέγεθος γυαλόχαρτου
Τραχύ τελείωμα	40
Μέσο τελείωμα	40 – 100
Λείο τελείωμα	100 – 240

Πίνακας 3

Τύπος γυαλόχαρτου	Επιφάνεια εργασίας
AA	Χάλυβας, Ξύλο
WA	Ξύλο, μπαμπού
CC	Μη σιδηρούχα μέταλλα, Σχιστόλιθος, Πλαστικά, Τσιμέντο

### ΠΡΟΣΟΧΗ

○ Για το μέγεθος γυαλόχαρτου, ανατρέξτε στον Πίνακα 3

○ Το γυαλόχαρτο του ιμάντα λείανσης θα πρέπει να είναι πιο τραχύ από το γυαλόχαρτο που χρησιμοποιείται για χειροκίνητες εργασίες.

○ Χρησιμοποιήστε ιμάντα λείανσης ίδιου μεγέθους με το γυαλόχαρτο ώστε να πετύχετε ομοιόμορφη επιφάνεια. Η αλλαγή μεγέθους γυαλόχαρτου μπορεί να έχει επιφέρει μη-ικανοποιητικό τελείωμα.

### 6. Πώς να λειτουργείτε το διακόπτη

Ο διακόπτης λειτουργίας ενεργοποιείται όταν τραβήξετε τη σκανδάλη. Αν πατήσετε τον αναστολέα μια φορά, τότε ο διακόπτης λειτουργίας ασφαρίζεται επιτρέποντας συνεχή λειτουργία.

Ο αναστολέας ελευθερώνεται τραβώντας τη σκανδάλη. (Σχ. 5)

### 7. Ρύθμιση της ταχύτητας του ιμάντα: SB10V2

Το εργαλείο λείανσης με ιμάντα είναι εξοπλισμένο με ηλεκτρικό κύκλωμα ελέγχου το οποίο ενεργοποιεί τον ελεγκτή ομαλής ταχύτητας. Για ρύθμιση της ταχύτητας, στρέψτε τον επιλογέα που εμφανίζεται στο Σχ. 6.

Όταν ο επιλογέας ρυθμιστεί στη θέση "1" το εργαλείο λείανσης με ιμάντα λειτουργεί στην ελάχιστη ταχύτητα. Όταν ο επιλογέας ρυθμιστεί στη θέση "5", το εργαλείο λείανσης με ιμάντα λειτουργεί στη μέγιστη ταχύτητα.

### 8. Πώς να εργάζεστε στις γωνίες

Οι γωνίες μπορούν να λειανθούν και να στίλβωθούν χρησιμοποιώντας το μηχάνημα όπως φαίνεται στο Σχ. 7.

## ΣΥΝΤΗΡΗΣΗ ΚΑΙ ΕΛΕΓΧΟΣ

### 1. Έλεγχος του ιμάντα λείανσης

Επειδή η συνεχής χρήση φθαρμένου ιμάντα μειώνει την αποδοτικότητα, θα πρέπει να αντικαθιστάτε τον ιμάντα λείανσης αμέσως μόλις εντοπίσετε υπερβολική τριβή.

### 2. Έλεγχος των βιδών στερέωσης

Ελέγχετε περιοδικά όλες τις βίδες στερέωσης και βεβαιωθείτε ότι είναι κατάλληλα σφιγμένες. Στην περίπτωση που χαλαρώσει οποιαδήποτε βίδα σφίξτε την ξανά αμέσως. Αν δεν το κάνετε αυτό μπορεί να έχει ως αποτέλεσμα το σοβαρό τραυματισμό.

### 3. Συντήρηση του μοτέρ

Η περιέλιξη της μονάδα του μοτέρ είναι η καρδιά του ηλεκτρικού εργαλείου. Δώστε μεγάλη προσοχή για να σιγουρευτείτε ότι η περιέλιξη δεν θα πάθει ζημιά και / ή θα βρεχθεί με λάδι ή νερό.

### 4. Έλεγχος στα καρβουνάκια

Για την συνεχιζόμενη ασφάλεια σας και την προστασία σας από την ηλεκτροπληξία, ο έλεγχος στα καρβουνάκια και η αντικατάσταση αυτού του εργαλείου πρέπει ΜΟΝΟ να γίνεται από ένα ΕΞΟΥΣΙΟΔΟΤΗΜΕΝΟ ΚΕΝΤΡΟ ΣΕΡΒΙΣ ΤΗΣ HITACHI.

### 5. Αντικατάσταση του καλωδίου παροχής ρεύματος

Αν το καλώδιο παροχής ρεύματος του Εργαλείου πάθει ζημιά, το Εργαλείο πρέπει να επιστραφεί στο Εξουσιοδοτημένο Κέντρο Εξυπηρέτησης Hitachi για να αντικατασταθεί.

### 6. Λίστα συντήρησης εξαρτημάτων

A: Αρ. Εξαρτήματος

B: Αρ. Κωδικού

C: Αρ. Χρήσης

D: Παρατηρήσεις

### ΠΡΟΣΟΧΗ

Η Επισκευή, τροποποίηση και ο έλεγχος των Ηλεκτρικών Εργαλείων της Hitachi πρέπει να γίνεται από ένα Εξουσιοδοτημένο Κέντρο Σέρβις της Hitachi.

Ειδικά για τη συσκευή λέιζερ, το σέρβις της πρέπει να γίνεται από ένα εξουσιοδοτημένο αντιπρόσωπο του κατασκευαστή του λέιζερ.

Πάντοτε να αναθέτετε την επισκευή της συσκευής λέιζερ στο Εξουσιοδοτημένο Κέντρο Σέρβις της Hitachi.

Αυτή η λίστα των Εξαρτημάτων θα είναι χρήσιμη αν δοθεί με το εργαλείο Hitachi στο Εξουσιοδοτημένο Κέντρο Σέρβις της Hitachi κατά την επισκευή ή την συντήρηση.

Κατά την χρήση και την συντήρηση των ηλεκτρικών εργαλείων, οι κανονισμοί ασφαλείας και οι κανόνες που υπάρχουν σε κάθε χώρα πρέπει να τηρούνται.

### ΤΡΟΠΟΠΟΙΗΣΕΙΣ

Τα Ηλεκτρικά Εργαλεία της Hitachi βελτιώνονται συνεχώς και τροποποιούνται για να ενσωματώσουν τα τελευταία τεχνολογικά επιτεύγματα.

Ανάλογα, κάποια σημεία (πχ κωδικοί αριθμοί, και/ ή σχεδιασμός) μπορούν να αλλάξουν χωρίς προειδοποίηση.



---

**ΕΓΓΥΗΣΗ**

---

Εγγυώμαστε τα εργαλεία Hitachi Power Tools σύμφωνα με τη νομοθεσία και τους κανονισμούς ανά χώρα. Η παρούσα εγγύηση δεν καλύπτει ελαττώματα ή ζημιές λόγω κακής χρήσης, κακοποίησης ή φυσιολογικής φθοράς. Σε περίπτωση παραπόνων παρακαλούμε αποστείλετε το Power Tool χωρίς να το αποσυναρμολογήσετε μαζί με το ΠΙΣΤΟΠΟΙΗΤΙΚΟ ΕΓΓΥΗΣΗΣ το οποίο βρίσκεται στο τέλος των οδηγιών αυτών, σε Εξουσιοδοτημένο Κέντρο Επισκευής της Hitachi.

---

**ΣΗΜΕΙΩΣΗ**

---

Εξαιτίας του συνεχιζόμενου προγράμματος έρευνας και ανάπτυξης της Hitachi τα τεχνικά χαρακτηριστικά που εδώ αναφέρονται μπορούν να αλλάξουν χωρίς προηγούμενη ειδοποίηση.

---

**Πληροφορίες που αφορούν τον εκπεμπόμενο θόρυβο και τη δόνηση**

---

Οι τιμές μετρήθηκαν σύμφωνα με το EN60745 και βρέθηκαν σύμφωνα με το ISO 4871.

Μέτρηση στάθμης ισχύος ήχου εξισορροπημένου A:  
101 dB(A)  
Μέτρηση στάθμης πίεσης ήχου εξισορροπημένου A:  
90 dB(A)

Αβεβαιότητα K<sub>PA</sub>: 3 dB(A)

Φοράτε προστατευτικά αυτιών.

Μια τυπική τιμή ρίζας μέσης τετραγωνικής επιτάχυνσης δεν πρέπει να ξεπερνά 2,5 m/s<sup>2</sup>.

---

## OGÓLNE WSKAZÓWKI BEZPIECZEŃSTWA DOTYCZĄCE URZĄDZEŃ ELEKTRYCZNYCH

### ⚠ OSTRZEŻENIE

Należy dokładnie zapoznać się ze wszystkimi ostrzeżeniami i wskazówkami bezpieczeństwa.

Nieprzestrzeganie ostrzeżeń oraz wskazówek bezpieczeństwa może spowodować porażenie prądem elektrycznym, pożar i/lub odniesienie poważnych obrażeń.

Ostrzeżenia i wskazówki bezpieczeństwa powinny być przechowywane do użycia w przyszłości.

Wykorzystywane w treści wskazówek wyrażenie "narzędzie elektryczne" dotyczy narzędzi zasilanych z sieci (przewodowych) lub z baterii (bezprowadowych).

#### 1) Bezpieczeństwo stanowiska pracy

- Miejsce pracy powinno być czyste i dobrze oświetlone.**  
*Brak porządku lub nieodpowiednie oświetlenie miejsca pracy może być przyczyną wypadku.*
- Nie należy używać narzędzi elektrycznych w miejscach zagrożonych wybuchem, na przykład w pobliżu łatwopalnych cieczy, gazów lub pyłów.**  
*Pracujące narzędzie elektryczne wytwarza iskry grożące wybuchem.*
- Dzieci oraz osoby postronne powinny pozostawać w bezpiecznej odległości od pracującego urządzenia.**  
*Dekonzcentracja może spowodować utratę kontroli nad urządzeniem.*

#### 2) Bezpieczeństwo elektryczne

- Wtyczka narzędzia musi pasować do gniazda zasilania.**  
**Nie wolno przerabiać wtyczki.**  
**Narzędzia posiadające uzziemienie nie powinny być używane z wtyczkami przejściowymi.**  
*Przestrzeganie powyższych zaleceń dotyczących wtyczek i gniazdek pozwoli zmniejszyć ryzyko porażenia prądem elektrycznym.*
- Należy unikać dotykania jakichkolwiek powierzchni i elementów uzziemionych, takich jak rury, grzejniki, kuchenki lub urządzenia chłodnicze.**  
*Ryzyko porażenia prądem elektrycznym jest wyższe, gdy ciało jest uzziemione.*
- Nie należy narażać narzędzi elektrycznych na działanie deszczu lub wilgoci.**  
*Obecność wody zwiększa niebezpieczeństwo porażenia prądem elektrycznym.*
- Nie należy używać przewodu zasilającego w sposób niezgodny z przeznaczeniem. Nie wolno używać przewodu do przenoszenia lub ciągnięcia urządzenia bądź wyłączania go z prądu.**  
**Przewód powinien znajdować się w bezpiecznej odległości od źródeł ciepła, oleju, ostrych krawędzi lub poruszających się części.**  
*Uszkodzenie lub zapętlenie przewodu zwiększa ryzyko porażenia prądem elektrycznym.*
- W przypadku używania narzędzia elektrycznego na wolnym powietrzu należy korzystać z przedłużaczy przeznaczonych do takiego zastosowania.**  
*Używanie odpowiednich przedłużaczy zmniejsza ryzyko porażenia prądem elektrycznym.*
- W przypadku korzystania z narzędzia w miejscu o dużej wilgotności należy zawsze używać wyłącznika różnicowoprądowego.**  
*Korzystanie z takiego wyłącznika zmniejsza ryzyko porażenia prądem elektrycznym.*

#### 3) Bezpieczeństwo osobiste

- Podczas korzystania z narzędzia elektrycznego należy zawsze koncentrować się na wykonywanej pracy i postępować zgodnie z zasadami zdrowego rozsądku.**  
**Narzędzia elektryczne nie powinny być obsługiwane przez osoby zmęczone lub znajdujące się pod wpływem substancji odurzających, alkoholu bądź lekarstw.**  
*Chwila nieuwagi podczas obsługi narzędzia elektrycznego może spowodować odniesienie poważnych obrażeń.*
  - Zawsze używać odpowiedniego osobistego wyposażenia ochronnego. Zawsze nosić odpowiednie okulary ochronne.**  
*Stosowane w odpowiednich warunkach wyposażenie zabezpieczające, takie jak maska przeciwpyłowa, obuwie antypoślizgowe, kask lub naszki zmniejsza ryzyko odniesienia obrażeń ciała.*
  - Uniemożliwić nieoczekiwane uruchomienie narzędzia. Przed podłączeniem narzędzia do gniazda zasilania i/lub zestawu baterii, a także przed podniesieniem lub przeniesieniem go, należy upewnić się, że wyłącznik znajduje się w położeniu wyłączenia.**  
*Ze względów bezpieczeństwa nie należy przenosić narzędzi elektrycznych, trzymając palec na wyłączniku, ani podłączać do zasilania urządzeń, których wyłącznik znajduje się w położeniu włączenia.*
  - Przed włączeniem usunąć wszystkie klucze regulacyjne.**  
*Pozostawienie klucza regulacyjnego połączonego z częścią obrotową narzędzia może spowodować odniesienie obrażeń.*
  - Nie sięgać zbyt daleko. Należy zawsze stać stabilnie, zachowując równowagę.**  
*Zapewnia to lepsze panowanie nad narzędziem w nieoczekiwanych sytuacjach.*
  - Należy nosić odpowiednią odzież roboczą. Nie nosić luźnych ubrań lub biżuterii. Trzymać włosy, odzież i rękawice w bezpiecznej odległości od ruchomych części urządzenia.**  
*Luźne ubrania, biżuteria lub długie włosy mogą zostać wciągnięte przez ruchome części narzędzia.*
  - Jeżeli wraz z narzędziem dostarczone zostało wyposażenie służące do odprowadzania pyłów, należy pamiętać o jego właściwym podłączeniu i używaniu.**  
*Właściwe zbieranie i odprowadzanie pyłu zmniejsza zagrożenia związane z jego obecnością.*
- #### 4) Obsługa i konserwacja narzędzi elektrycznych
- Nie używać narzędzia elektrycznego ze zbyt dużą siłą. Należy stosować narzędzie odpowiednie dla wykonywanej pracy.**  
*Narzędzie przeznaczone do określonej pracy wykona ją lepiej i w sposób bardziej bezpieczny, pracując z zalecaną prędkością.*
  - Nie należy używać narzędzia, którego wyłącznik jest uszkodzony.**  
*Każde urządzenie, które nie może być właściwie włączone i wyłączane, stanowi zagrożenie i musi zostać naprawione.*
  - Należy zawsze odłączyć urządzenie z sieci zasilania i/lub baterii przed przystąpieniem do jakichkolwiek modyfikacji, wymiany akcesoriów itp. oraz kiedy urządzenie nie będzie używane przez dłuższy czas.**  
*Powyższe środki mają na celu wyeliminowanie ryzyka nieoczekiwanego uruchomienia urządzenia.*
  - Nie używane narzędzia elektryczne powinny być przechowywane w miejscu niedostępnym dla dzieci oraz osób, które nie znają zasad ich obsługi lub niniejszych zaleceń.**  
*Korzystanie z narzędzi elektrycznych przez osoby, które nie zostały przeszkolone, może stanowić zagrożenie.*
  - Należy dbać o odpowiednią konserwację narzędzi elektrycznych. Przed rozpoczęciem pracy należy sprawdzić, czy ruchome części urządzenia nie są wygięte, uszkodzone lub pęknięte i czy nie występują jakiegokolwiek inne okoliczności, które mogłyby uniemożliwić bezpieczną pracę urządzenia.**

W razie uszkodzenia przed kolejnym użyciem narzędzie musi zostać naprawione.

Wiele wypadków następuje z powodu nieprawidłowej konserwacji narzędzi elektrycznych.

- f) **Narzędzia tnące powinny być zawsze ostre i czyste.**  
Narzędzia tnące powinny być utrzymywane w odpowiednim stanie, a ich krawędzie muszą być odpowiednio ostre - zmniejsza to ryzyko wygięcia i ułatwia obsługę narzędzia.
- g) **Należy zawsze obsługiwać narzędzie, jego akcesoria takie jak wiertła itp. w sposób zgodny z zaleceniami niniejszej instrukcji, biorąc pod uwagę warunki robocze oraz rodzaj wykonywanej pracy.**

Używanie narzędzia do celów niezgodnych z jego przeznaczeniem może spowodować niebezpieczeństwo.

#### 5) Serwis

- a) **Narzędzia elektryczne mogą być naprawiane wyłącznie przez uprawnionych techników serwisowych, przy zastosowaniu oryginalnych części zamiennych.**  
Zapewnia to utrzymanie bezpieczeństwa obsługi urządzenia.

#### UWAGA

Dzieci i osoby niepełnosprawne muszą pozostawać w bezpiecznej odległości od narzędzia.

Nie używane narzędzia elektryczne powinny być przechowywane w miejscu niedostępnym dla dzieci i osób niepełnosprawnych.

### WSKAZÓWKI BEZPIECZEŃSTWA DOTYCZĄCE UŻYTKOWNIA SZLIFIERKI TAŚMOWEJ

#### UWAGA

Przed przystąpieniem do szlifowania należy dokładnie sprawdzić szlifowany materiał.

Jeżeli można oczekiwać, że podczas szlifowania będzie wytwarzać się szkodliwy / toksyczny pył lub odpryski farby, drewna albo metalu, należy upewnić się, że do urządzenia został prawidłowo podłączony worek na pył lub inny odpowiedni system odprowadzania pyłu.

W miarę możliwości należy również nosić maskę ochronną.

Nie wdychać i nie dotykać szkodliwego / toksycznego pyłu wydzielanego podczas szlifowania - może to być niebezpieczne dla zdrowia użytkownika i osób postronnych.

### DANE TECHNICZNE

Model	SB10V2	SB10S2
Napięcie (w zależności od miejsca)*	(110V, 220V, 230V, 240V) ~	
Moc pobierana*	1020 W	
Prędkość taśmy bez obciążenia	240 – 420 m / min	420 m / min
Rozmiary taśmy szlifierskiej	100 × 610 mm	
Ciężar (bez przewodu)	5,2 kg	

\*Sprawdź nazwę produktu, jako że ulega ona zmianie w zależności od miejsca zakupu.

### WYPOSAŻENIE STANDARDOWE

- (1) Ciągła taśma szlifierska (uziarnienie: #80) ..... 1  
(2) Worek na pył ..... 1  
Wyposażenie standardowe może ulec zmianie bez uprzedzenia.

### MOŻLIWE WYPOSAŻENIE DODATKOWE – sprzedawane oddzielnie

#### 1. Ciągła taśma szlifierska

Tabela 1

Uziarnienie	Typ ziaren
40	AA, WA, CC
60	AA, WA, CC
80	AA, WA, CC
100	AA, WA, CC
120	AA, WA, CC
150	AA, WA, CC
180	AA, WA, CC
240	AA, WA, CC

#### UWAGA:

Taśmy szlifierskie sprzedawane są w zestawach po 10 sztuk tego samego rodzaju.

Przy składaniu zamówienia należy określić uziarnienie oraz typ taśmy.

#### 2. Statyw mocujący

W przypadku szlifowania przedmiotów niewielkich rozmiarów dla ułatwienia należy użyć statywu.

Wyposażenie standardowe może ulec zmianie bez uprzedzenia.

### ZASTOSOWANIE

- Szlifowanie wykończeniowe i wygładzanie drewna.
- Polerowanie powierzchni drewnianych.
- Szlifowanie wykończeniowe powierzchni metalowych.
- Szlifowanie powierzchni metalowych, usuwanie rdzy lub farby przed rozpoczęciem prac wykończeniowych.
- Prace wykończeniowe na powierzchniach wykonanych z łupku, betonu lub podobnych materiałów.

**PRZED UŻYCIEM****1. Źródło mocy**

Upewnij się, że źródło mocy jest zgodne z wymogami mocy zaznaczonymi przy nazwie produktu.

**2. Przełącznik**

Upewnij się, że przełącznik jest wyłączony (pozycja OFF). Jeśli wtyczka jest włączona do prądu podczas gdy przełącznik jest włączony (pozycja ON), narzędzie zacznie działać natychmiast, co może spowodować poważny wypadek.

**3. Przedłużacz**

Kiedy miejsce pracy znajduje się daleko od źródła prądu, użyj przedłużacza o wystarczającym przekroju. Przedłużacz powinien być tak krótki jak tylko jest to możliwe.

**4. Założyć taśmę szlifierską.**

Szczegółowe informacje zostały zamieszczone w rozdziale "Zakładanie taśmy szlifierskiej".

**OBSŁUGA TAŚMY SZLIFIERSKIEJ****UWAGA:**

Upewnij się, że urządzenie jest wyłączone (OFF), a wtyczka przewodu zasilającego została wyjęta z gniazdka.

**1. Zakładanie taśmy szlifierskiej**

- (1) Pociągnąć dźwignię palcem - luźne koło pasowe przesunie się do tyłu. (Rys. 1).
- (2) Założyć taśmę na koło napędowe i luźne koło pasowe, przekładając ją nad płytą ślizgacza. Upewnij się, że strzałka znajdująca się po wewnętrznej stronie taśmy odpowiada kierunkowi obrotów koła napędowego (Rys. 2).
- (3) Popchnąć dźwignię palcem - luźne koło pasowe przesunie się do przodu, napinając taśmę. Należy uważać, aby nie przycisnąć sobie palca dźwignią. Ustawić dokładne położenie taśmy.

**UWAGA:**

Założenie taśmy szlifierskiej w odwrotny sposób spowoduje zmniejszenie efektywności pracy oraz trwałości taśmy.

**2. Zdejmowanie taśmy szlifierskiej**

Pociągnąć dźwignię palcem - taśma zostanie poluzowana i będzie mogła zostać łatwo zdjęta z kół pasowych.

**USUWANIE PYŁU**

Jeżeli worek na pył jest zapelniony, wydajność gromadzenia pyłu zostanie zmniejszona.

Należy usuwać pył z worka, kiedy zajmuje on mniej więcej 2/3 jego pojemności - zapewni to skuteczniejsze działanie układu odprowadzania pyłu, a więc także całego urządzenia.

Sposób usuwania pyłu z worka:

- (1) Poluzować pręt podtrzymujący i zdjąć worek na pył. (Rys. 5)
- (2) Worek może zostać otwarty za pomocą zamka błyskawicznego.

**OBSŁUGA SZLIFIERKI TAŚMOWEJ****1. Ustawianie właściwego położenia taśmy.**

Wcisnąć przycisk i obrócić taśmę szlifierską do pozycji kontrolnej. Wyregulować położenie taśmy tak, aby jej obie krawędzie wystawały poza koła pasowe na mniej więcej 1,6 - 3 mm.

Jeżeli taśma będzie nadmiernie przesunięta do wewnątrz, może powodować tarcie i uszkodzenie urządzenia.

Położenie taśmy szlifierskiej jest ustawiane za pomocą śruby regulacyjnej. (Rys. 3)

- Obracać śrubę w kierunku zgodnym z ruchem wskazówek zegara, aby przesunąć taśmę do wewnątrz.
- Obracać śrubę w kierunku przeciwnym do ruchu wskazówek zegara, aby przesunąć taśmę na zewnątrz.

**UWAGA:**

Jeżeli taśma przemieszcza się podczas pracy, regulacja może zostać przeprowadzona, kiedy urządzenie pracuje.

**2. Włączanie**

Podczas włączania za pomocą wyłącznika głównego urządzenie nie może dotykać powierzchni, która ma być szlifowana. W przeciwnym wypadku powierzchnia może zostać poważnie porysowana.

To samo zalecenie dotyczy wyłączania urządzenia.

**3. Sposób przytrzymywania urządzenia**

Lekko przyłożyć urządzenie do obrabianej powierzchni, przytrzymując je za uchwyty.

Sam ciężar urządzenia jest wystarczający dla szlifowania i polerowania z odpowiednią wydajnością.

Nie należy dociskać urządzenia, ponieważ spowoduje to jedynie dodatkowe obciążenia silnika, niepotrzebne zużycie taśmy szlifierskiej i zmniejszenie efektywności pracy. (Rys. 4)

**4. Prowadzenie urządzenia**

Należy prowadzić urządzenie w przód, a potem w tył, powtarzając ten ruch wielokrotnie. (Rys. 4)

**5. Wybór odpowiedniej taśmy szlifierskiej**

Aby wybrać taśmę o właściwym uziarnieniu i rodzaju ziaren, należy zapoznać się z informacjami zamieszczonymi w poniższych tabelach 2 i 3.

**Tabela 2**

Wykończenie bardzo ogólne	Uziarnienie
Wykończenie grube	40
Wykończenie średnie	40 – 100
Wykończenie drobne	100 – 240

**Tabela 3**

Rodzaj ziaren	Obrabiana powierzchnia
AA	Stal, Drewno
WA	Drewno, Bambus
CC	Metale nieżelazne, Łupek, Tworzywa sztuczne, Beton

**UWAGA:**

- Aby wybrać odpowiednie uziarnienie - patrz tabela 3
- Uziarnienie taśmy szlifierskiej powinno być grubsze niż papieru ściernego używanego podczas prac ręcznych.
- Należy używać taśmy o tym samym uziarnieniu aż do ostatecznego zakończenia pracy.

Zmiana uziarnienia może spowodować nieprawidłowe wykończenie.

#### 6. Obsługa wyłącznika

Urządzenie uruchamiane jest poprzez wciśnięcie przycisku spustowego. Po wciśnięciu blokady przycisk spustowy zostaje zablokowany, co umożliwia ciągłą pracę urządzenia. Blokada może zostać wyłączona poprzez wciśnięcie przycisku spustowego (Rys. 5).

#### 7. Regulacja prędkości taśmy: SB10V2

Szlifierka taśmowa wyposażona jest w elektryczny układ umożliwiający bezstopniową zmianę prędkości taśmy. Prędkość taśmy może być regulowana za pomocą pokrętła pokazanego na Rys. 6.

Kiedy pokrętło jest ustawione na "1", urządzenie pracuje z prędkością minimalną.

Ustawienie "5" odpowiada maksymalnej prędkości roboczej urządzenia.

#### 8. Obróbka narożników

Narożniki mogą być szlifowane i polerowane w sposób pokazany na Rys. 7.

### KONSERWACJA I INSPEKCJA

#### 1. Sprawdzanie taśmy szlifierskiej

Wykorzystywanie zużytej taśmy szlifierskiej powoduje znaczne zmniejszenie wydajności pracy. Taśma powinna być wymieniana na nową, kiedy tylko jest nadmiernie zużyta.

#### 2. Sprawdzanie śrub mocujących

Regularnie sprawdzaj wszystkie mocujące śruby i upewnij się, że są mocno przykręcone. Jeśli któraś z nich się obluźuje, natychmiast ją przykręć. Zaniedbanie tego może spowodować poważne zagrożenie.

#### 3. Konserwacja silnika

Wirnik silnika jest sercem narzędzia.

Zadbaj, by wirnik nie został uszkodzony i nie zawilgotniał lub pokrył się olejem.

#### 4. Kontrola stanu szczotek węglowych

W celu zapewnienia pełnego bezpieczeństwa użytkownika i ochrony przed porażeniem prądem elektrycznym, kontrola i wymiana szczotek węglowych w tym urządzeniu mogą być przeprowadzane WYŁĄCZNIE przez Autoryzowany Punkt Serwisowy Hitachi.

#### 5. Wymiana przewodu zasilającego

Jeżeli przewód zasilający urządzenia został uszkodzony, musi ono zostać przekazane do Autoryzowanego Punktu Serwisowego Hitachi w celu wymiany przewodu.

#### 6. Lista części zamiennych

A: Nr części

B: Nr kodu

C: Ilość użytych części

D: Uwagi

#### UWAGA

Naprawy, modyfikacji i kontroli Narzędzi Elektrycznych Hitachi może dokonywać tylko Autoryzowane Centrum Obsługi Hitachi.

Ta lista części będzie przydatna, jeśli zostanie wręczona Autoryzowanemu Centrum Obsługi Hitachi, gdy zanieśmy narzędzie do naprawy lub przeglądu.

Podczas używania i konserwacji narzędzi elektrycznych należy przestrzegać przepisów i norm bezpieczeństwa danego kraju.

#### MODYFIKACJE

Narzędzia elektryczne Hitachi są ciągle ulepszone i modyfikowane w celu wprowadzania najnowszych osiągnięć nauki i techniki.

W związku z tym pewne części (a także numery kodów i konstrukcja) mogą ulec zmianom bez uprzedzenia.

#### GWARANCJA

Gwarancja na elektronarzędzia Hitachi jest udzielana z uwzględnieniem praw statutowych i przepisów krajowych. Gwarancja nie obejmuje wad i uszkodzeń powstałych w wyniku niewłaściwego użytkowania lub wynikających z normalnego zużycia. W wypadku reklamacji należy dostarczyć kompletne elektronarzędzie do autoryzowanego centrum serwisowego Hitachi wraz z KARTĄ GWARANCYJNĄ znajdującą się na końcu instrukcji obsługi.

#### WSKAZÓWKA

W związku z prowadzonym przez Hitachi programem badań i rozwoju, specyfikacje te mogą się zmienić w każdej chwili bez uprzedzenia.

#### Informacja dotycząca poziomu hałasu i wibracji

Mierzone wartości było określone według EN60745 i zadeklarowane zgodnie z ISO 4871.

Zmierzony poziom dźwięku A: 101 dB(A)

Zmierzone ciśnienie akustyczne A: 90 dB(A)

Niepewność KpA: 3 dB(A)

Używaj ochroniacza uszu.

Standardowo, średnia ważona kwadratowa wartość przyspieszenia nie przekracza 2,5 m/s<sup>2</sup>.

## SZERSZÁMGÉPEKRE VONATKOZÓ ÁLTALÁNOS BIZTONSÁGI FIGYELMEZTETÉSEK

### ⚠ FIGYELEM

Olvasson el minden biztonsági figyelmeztetést és minden utasítást.

A figyelmeztetések és utasítások be nem tartása áramütést, tüzet és/vagy súlyos sérülést eredményezhet.

Őrizzen meg minden figyelmeztetést és utasítást a jövőbeni hivatkozás érdekében.

A "szerszámgép" kifejezés a figyelmeztetésekben a hálózatról működő (vezetékes) vagy akkumulátorról működő (vezeték nélküli) szerszámgépre vonatkozik.

#### 1) Munkaterületi biztonság

- Tartsa a munkaterületet tisztán és jól megvilágítva.**  
A telezsúfolt vagy sötét területek vonzzák a baleseteket.
- Ne üzemeltesse a szerszámgépeket robbanásveszélyes atmoszférában, mint például gyúlékony folyadékok, gázok vagy por jelenlétében.**  
A szerszámgépek szikrákat keltenek, amelyek meggyújthatják a port vagy gőzöket.
- Tartsa távol a gyermekeket és körülállókát, miközben a szerszámgépet üzemelteti.**  
A figyelemelvonás a kontroll elvesztését okozhatja.

#### 2) Érintésvédelem

- A szerszámgép dugaszoknak meg kell felelniük az aljzatnak.**  
Soha, semmilyen módon ne módosítsa a dugaszt.  
Ne használjon semmilyen adapter dugaszt földelt szerszámgépekkel.  
A nem módosított dugaszok és a megfelelő aljzatok csökkentik az áramütés kockázatát.
- Kerülje a test érintkezését földelt felületekkel, mint például csövekkel, radiátorokkal, tűzhelyekkel és hűtőszekrényekkel.**  
Az áramütés kockázata megnövekszik, ha a teste földelve van.
- Ne tegye ki a szerszámgépeket esőnek vagy nedves körülményeknek.**  
A szerszámgépbe kerülő víz növeli az áramütés kockázatát.
- Ne rongálja meg a vezetéket. Soha ne használja a vezetéket a szerszámgép szállítására, húzására vagy kihúzására.**  
Tartsa távol a vezetéket a hőtől, olajtól, éles szegélyektől vagy mozgó alkatrészekről.  
A sérült vagy összekuszálódott vezetékek növelik az áramütés kockázatát.
- Szerszámgép szabadban történő üzemeltetése esetén használjon szabadtéri használatra alkalmas hosszabbító kábelt.**  
A szabadtéri használatra alkalmas kábel használata csökkenti az áramütés kockázatát.
- Ha elkerülhetetlen a szerszámgép nyirkos helyen történő használata, használjon maradékáram-készülékkel (RCD) védett táplálást.**  
Az RCD használata csökkenti az áramütés kockázatát.

#### 3) Személyi biztonság

- Álljon készenlétben, figyelje, hogy mit tesz, és használja a józan eszét a szerszámgép üzemeltetésekor.**  
Ne használja a szerszámgépet fáradtan, kábítószert, alkohol vagy gyógyszer befolyása alatt.  
A szerszámgépek üzemeltetése közben egy pillanatnyi figyelmetlenség súlyos személyi sérülést eredményezhet.

- Használjon személyi védőfelszerelést. Mindig viseljen védőszemüveget.**

A megfelelő körülmények esetén használt védőfelszerelés, mint például a porálarc, nem csúszó biztonsági cipő, kemény sisak, vagy hallásvédő csökkenti a személyi sérüléseket.

- Előzze meg a véletlen elindítást. Győződjön meg arról, hogy a kapcsoló a KI helyzetben van, mielőtt csatlakoztatja az áramforráshoz és/vagy az akkumulátorcsomaghoz, amikor felveszi vagy szállítja a szerszámot.**

A szerszámgépek szállítása úgy, hogy az ujjá a kapcsolón van vagy a bekapcsolt helyzetű szerszámgépek áram alá helyezése vonzza a baleseteket.

- Távolítson el minden állítókulcsot vagy csavarkulcsot, mielőtt bekapcsolja a szerszámgépet.**

A szerszámgép forgó részéhez csatlakoztatva hagyott csavarkulcs vagy kulcs személyi sérülést eredményezhet.

- Ne nyúljon át. Mindenkor álljon stabilan, és őrizze meg egyensúlyát.**

Ez lehetővé teszi a szerszámgép jobb ellenőrzését váratlan helyzetekben.

- Öltözzön megfelelően. Ne viseljen laza ruházatot vagy ékszert. Tartsa távol a haját, ruházatát és kesztyűjét a mozgó részekről.**

A laza ruházat, ékszer vagy hosszú haj beakadhat a mozgó részekbe.

- Ha vannak rendelkezésre bocsátott eszközök a porszivó és gyűjtő létesítmények csatlakoztatásához, gondoskodjon arról, hogy ezek csatlakoztatva és megfelelően használva legyenek.**

A porgyűjtő használata csökkentheti a porhoz kapcsolódó veszélyeket.

#### 4) A szerszámgép használata és ápolása

- Ne erőltesse a szerszámgépet. Használjon az alkalmazásához megfelelő szerszámgépet.**

A megfelelő szerszámgép jobban és biztonságosabban végzi el a feladatot azon a sebességen, amelyre azt tervezték.

- Ne használja a szerszámgépet, ha a kapcsoló nem kapcsolja azt be és ki.**

Az a szerszámgép, amely a kapcsolóval nem vezérelhető, veszélyes és meg kell javítani.

- Húzza ki a dugaszt az áramforrásból és/vagy az akkumulátorcsomagot a szerszámgépéből, mielőtt bármilyen beállítást végez, tartozékokat cserél vagy tárolja a szerszámgépeket.**

Az ilyen megelőző biztonsági intézkedések csökkentik a szerszámgép véletlen beindulásának kockázatát.

- A használaton kívüli szerszámgépeket tárolja úgy, hogy gyermekek ne érhessek el, és ne engedje meg, hogy a szerszámgépet vagy ezeket az utasításokat nem ismerő személyek üzemeltessék a szerszámgépet.**

Képzetlen felhasználók kezében a szerszámgépek veszélyesek.

- A szerszámgépek karbantartása. Ellenőrizze a helytelen beállítás, a mozgó részek elakadása, alkatrészek törése és minden olyan körülmény szempontjából, amelyek befolyásolhatják a szerszám működését.**

Ha sérült, használat előtt javíttassa meg a szerszámot. Sok balesetet a rosszul karbantartott szerszámgépek okoznak.

- A vágószerszámokat tartsa élesen és tisztán.**

Az éles vágóélekkel rendelkező, megfelelően karbantartott vágószerszámok kevésbé valószínűen akadnak el és könnyebben kezelhetők.

- g) A szerszám gép tartozékait és betétkéseit, stb. használja ezeknek az utasításoknak megfelelően, figyelembe véve a munkakörülményeket és a végzendő munkát.

A szerszám gép olyan műveletekre történő használata, amelyek különböznek a szándékoltaktól, veszélyes helyzetet eredményezhet.

#### 5) Szervíz

- a) A szerszám gépét képesített javító személlyel szervizeltesse, csak azonos cserealkatrészek használatával.

Ez biztosítja, hogy a szerszám gép biztonsága megmaradjon.

#### VIGYÁZAT

Tartsa távol a gyermekeket és beteg személyeket.

Amikor nincs használatban, a szerszámokat úgy kell tárolni, hogy gyermekek és beteg személyek ne érhesék el.

### ŰVINTÉZKEDÉSEK A SZALAGCSISZOLÓ HASZNÁLATÁVAL KAPCSOLATBAN

#### FIGYELEM

A csiszolási művelet előtt ellenőrizze a csiszolni kívánt anyagot.

Ha a csiszolási művelet alatt káros / toxikus porok, mint például ólomtartalmú festék, fa, fém keletkezése várható, gondoskodjon arról, hogy a porzsák vagy megfelelő poreszívó rendszer szorosan csatlakoztatva legyen a porkivezetéshez.

Adott esetben kiegészítésként viselje a porálcot.

Ne lélegezze be vagy ne érintse meg a csiszolási művelet során keletkezett káros / toxikus porokat, a por veszélyeztetheti saját és a körülötte állók egészségét.

### MŰSZAKI ADATOK

Modell	SB10V2	SB10S2
Feszültség (terület szerint)*	(110V, 220V, 230V, 240V) ~	
Névleges teljesítményfelvétel*	1020 W	
Üresjáratú szalagsebesség	240 – 420 m / min	420 m / min
Papír csiszolászalag mérete	100 × 610 mm	
Súly (kábel nélkül)	5,2 kg	

\* Ne felejtse el ellenőrizni a típus táblán feltüntetett adatokat, mivel ezek eladási területenként változnak!

### STANDARD TARTOZÉKOK

- (1) Végtelenített csiszolászalag (szemcseméret: #80) ..... 1  
 (2) Porzsák ..... 1  
 A standard tartozékok előzetes tájékoztatás nélkül változhatnak.

### TETSZÉS SZERINT VÁLASZTHATÓ TARTOZÉKOK – külön megrendelésre

#### 1. Végtelenített csiszolászalagok

##### 1. Táblázat

Szemcseméret	Szemcsetípus
40	AA, WA, CC
60	AA, WA, CC
80	AA, WA, CC
100	AA, WA, CC
120	AA, WA, CC
150	AA, WA, CC
180	AA, WA, CC
240	AA, WA, CC

#### MEGJEGYZÉS:

A végtelenített csiszolászalagot 10 ugyanolyan típusú szalagból álló csomagokban árusítják. Rendeléskor adja meg a kívánt szemcsetípust és szemcseméretet.

#### 2. Helyhez kötött tartó

Kis cikkek csiszolásakor a kényelem céljából használjon helyhez kötött tartót.

A tetszés szerint választható tartozékok előzetes bejelentés nélkül bármikor változhatnak.

### ALKALMAZÁSOK

- Fajlagmunkálási termékek finomcsiszolása és befejező padlózása.
- Fabevonatú felületek alappolirozása.
- Fémfelületek finomcsiszolása.
- Fémbevonatú felületek alappolirozása, rozsda eltávolítása vagy festék eltávolítása újrafajlagmunkálás előtt.
- Pala, beton és hasonló anyagok felületkezelése.

### AZ ÜZEMBEHELYEZÉS ELŐTTI TENNIVALÓK

#### 1. Áramforrás

Ügyeljen rá, hogy a készülék adattábláján feltüntetett feszültség értéke megegyezzen az alkalmazni kívánt hálózati feszültséggel.

**2. Hálózati kapcsoló**

Ügyeljen rá, hogy a hálózati kapcsoló KI állásba legyen kapcsolva. Ha a csatlakozódugót úgy csatlakoztatja a dugaszolóaljzatba, hogy közben a hálózati kapcsoló BE állásban van, a kéziszerszám azonnal működésbe lép, ami súlyos balesetet idézhet elő.

**3. Hosszabbító vezeték**

Ha a munkaterület az áramforrástól távol található, akkor egy megfelelő keresztmetszetű és teljesítményű hosszabbító vezetékkel kell alkalmazni.

**4. A csiszolószalag ráerősítése.**

Részletekért olvassa el a "Csiszolószalag összeszerelése" szakaszt.

**HOGYAN KELL KEZELNI A CSISZOLÓSZALAGOT****FIGYELEM:**

Győződjön meg arról, hogy az áram KI helyzetbe van kapcsolva és húzza ki a dugaszt a dugaszolóaljzattól a súlyos baj elkerüléséhez.

**1. Hogyan kell ráerősíteni a csiszolószalagot**

- (1) Húzza meg a kart az ujjával, ekkor a laza tárcsa hátrafelé mozdul el. (1. **Ábra**)
- (2) Helyezze a hajtótárcsára és a laza tárcsára, elvezetve azt a talplemez külső oldala fölé, és meggyőződve arról, hogy a szalag felsején levő nyíl megegyezik a hajtótárcsa forgásirányával. (2. **Ábra**)
- (3) Ujjal nyomja meg a kart, a laza tárcsa ekkor előremozdul, és megfelelő feszítést ad a csiszolószalagnak. Ebben az esetben legyen óvatos, hogy ne üsse meg az ujját a karral.  
Ezután állítsa be a csiszolószalag helyzetét.

**FIGYELEM:**

A rossz irányban felszerelt csiszolószalag alacsonyabb hatékonysággal dolgozik, és megrövidíti a csiszolószalag élettartamát.

**2. Hogyan kell eltávolítani a csiszolószalagot**

Húzza meg a kart az ujjával, ekkor a csiszolószalag megereszkedik és könnyen levehető a tárcsákról.

**PORELTÁVOLÍTÁS**

Amikor túl nagy mennyiségű por rakódott le a porzsákban, a porgyűjtés hatékonysága erősen leesik.

Távolítsa el a porzsákat, amikor az a zsák kapacitásának körülbelül 2/3-ig megtelt, miáltal a porgyűjtési hatékonyság (valamint a munkavégzési hatékonyság) biztosítva marad. A port a következőképpen távolítsa el a zsákból:

- (1) Lazítsa meg a tartókart és távolítsa el a porzsákat. (5. **Ábra**)
- (2) A zsák beömlőnyílása a csúszózár kicippázásával nyitható ki.

**HOGYAN KELL HASZNÁLNI A SZALAGCSISZOLÓT****1. Hogyan kell beállítani a csiszolási helyzetet.**

Nyomja meg a kapcsolót és forgassa a csiszolószalagot a helyzet ellenőrzéséhez. Úgy állítsa be a csiszolószalagot, hogy mindkét szélé 1,6 mm - 3mm-rel nyúljon túl a tárcsák szélein.

Ha a csiszolószalagot túl bent üzemelteti, az kopást és a gép károsodását okozhatja.

A csiszolószalag helyzetét az állítócsavar forgatásával állítsa be. (3. **Ábra**)

- A szalag befelé mozdításához fordítsa az állítócsavart az óra járásának irányába.
- A szalag kifelé mozdításához fordítsa az állítócsavart az óra járásával ellentétes irányba.

**FIGYELEM:**

Ha a csiszolószalag működés közben elmozdul, a beállítás működés közben is elvégezhető.

**2. A kapcsoló bekapcsolása**

Kapcsolja be a kapcsolót, miközben a gépet távol tartja a megmunkálandó felülettől. Ha a gép rá van helyezve egy felületre, amikor megnyomja a kapcsolót, a felület csúnyán összekarcolódhat. Ugyanez vonatkozik a gép leállítására.

**3. Hogyan kell tartani a gépet**

Fogja meg a fogantyút és a fogantyúgombot, és úgy tartsa a gépet a megmunkálandó felülettel szemben, hogy az kissé érintse a felületet.

Magának a gépnek a súlya elegendő a legnagyobb hatékonyságú csiszoláshoz és polírozáshoz.

Ne alkalmazzon semmilyen további nyomást, ez szükségtelenül terhelné a motort, megrövidítené a csiszolószalag élettartamát és csökkentené a munka hatékonyságát. (4. **Ábra**)

**4. Hogyan kell mozgatni a gépet**

Mozgassa a gépet először előre, majd vissza, ezt a mozgást ismételve. (4. **Ábra**)

**5. Hogyan kell kiválasztani a megfelelő csiszolószalagot**

Válassza a speciális célhoz megfelelő szemcseméretű és szemcsetípusú csiszolószalagot az alábbi 2. és 3. **Táblázat** elolvasásával.

**2. Táblázat**

Származtatott megmunkálás	Megfelelő szemcseméret
Durva megmunkálás	40
Közepes megmunkálás	40 – 100
Finom megmunkálás	100 – 240

**3. Táblázat**

Szemcsetípus	Megmunkálandó felület
AA	Acél, Fa
WA	Fa, Bambusz
CC	Nemvas fémek, Pala, Műanyagok, Beton

**FIGYELEM:**

- Szemcseméretre olvassa el a 3. **Táblázatot**
- A csiszolószalag szemcséjének durvábbnak kell lennie, mint a kézi munkához használt csiszolópapír.
- Ugyanolyan szemcseméretű csiszolószalagot használjon, míg egységes felületet nem kap. A szemcseméreték változtatása gyenge kidolgozást eredményezhet.

**6. Hogyan kell működtetni a kapcsolót**

A tápkapcsoló BE helyzetbe kapcsol az indító meghúzásakor, és ha egyszer megnyomja a megállítót, a tápkapcsoló rögzítve marad, lehetővé téve a folyamatos működést.

A megállító az indító meghúzásával oldható ki. (5. **Ábra**)



**7. A szalag sebességének beállítása: SB10V2**

A szalagcsiszoló fel van szerelve egy elektronikus szabályozó áramkörrel, amely lehetővé teszi a fokozatmentes sebességszabályozást. A sebesség beállításához fordítsa el a **6. Ábrán** bemutatott tárcsát. Amikor a tárcsa "1" értékre van állítva, a szalagcsiszoló a minimális sebességgel működik. Amikor a tárcsa "5" értékre van állítva, a szalagcsiszoló a maximális sebességgel működik.

**8. Hogyan kell dolgozni sarkon**

A sarkok a gépnek **7. Ábrán** bemutatottak szerinti használatával csiszolhatók és polírozhatók.

**ELLENŐRZÉS ÉS KARBANTARTÁS****1. A csiszolószalag ellenőrzése:**

Mivel az elkopott csiszolószalag folytatódó használata rontja a hatékonyságot, cserélje ki a csiszolószalagot, amint túlzott kopást észlel.

**2. A rögzítő csavarok ellenőrzése**

Rendszeresen ellenőrizzen minden rögzítő csavart, és ügyeljen rá, hogy azok megfelelően meg legyenek szorítva. Minden meglazult csavart azonnal szorítson meg. Ennek elhanyagolása súlyos veszélyeket hordoz magában.

**3. A motor karbantartása**

A motor tekerccselése az elektromos szerszám „szíve”. Gondosan ügyeljen rá, hogy a tekerccselés ne sérüljön, illetve ne kerüljön kapcsolatba olajjal vagy vízzel.

**4. A szénkefék ellenőrzése**

A tartós biztonság és a megfelelő érintésvédelem érdekében e szerszámgép szénkeféinek ellenőrzését és cseréjét KIZÁRÓLAG a Hitachi Szerződéses Szerviz Központ végezheti.

**5. A hálózati kábel cseréje**

Ha a szerszámgép hálózati kábele megrongálódik, akkor azt csere céljából vissza kell juttatni a Hitachi Szerződéses Szerviz Központba.

**6. Szervizelési alkatrészlista**

A: Alkatrész-szám  
B: Kódszám  
C: Használt darabszám  
D: Megjegyzések

**FIGYELEM**

Hitachi kéziszerszámok javítását, módosítását és ellenőrzését csak Hitachi Szakszerviz végezheti.

Javítás vagy egyéb karbantartás esetén hasznos ha ezt a szerviz-alkatrész listát a szerszámmal együtt átadjuk a Hitachi szakszervíznek.

A kéziszerszámok üzemeltetése és karbantartása során be kell tartani az egyes országokban érvényben lévő biztonsági rendelkezéseket és szabványokat.

**MÓDOSÍTÁSOK**

A Hitachi kéziszerszámok állandó tökéletesítéseken mennek át, hogy alkalmazni tudják a legújabb műszaki fejlesztések eredményeit.

Éppen ezért egyes alkatrészek (azok kódszámai illetve kiviteli módjai) előzetes bejelentés nélkül megváltozhatnak.

**GARANCIA**

A Hitachi Power Tools szerszámokra a törvényes/országos előírásoknak megfelelő garanciát vállalunk. A garancia nem vonatkozik a helytelen vagy nem rendeltetésszerű használatból, továbbá a normál mértékűnek számító elhasználódásból, kopásból származó meghibásodásokra, károokra. Reklamáció esetén kérjük, küldje el a - nem szétszerelt - szerszámot a kezelési útmutató végén található GARANCIA BIZONYLATTAL együtt a hivatalos Hitachi szervizközpontba.

**MEGJEGYZÉS**

A HITACHI folyamatos kutatási és fejlesztési programja következtében az itt szereplő műszaki adatok előzetes bejelentés nélkül változhatnak.

**A környezeti zajra és vibrációra vonatkozó információk**

A mért értékek az EN60745 szabványnak megfelelően kerültek meghatározásra és az ISO 4871 alapján kerülnek közzétételre.

Mért A-súlyozású hangteljesítményszint: 101 dB(A)

Mért A-súlyozású hangnyomásszint: 90 dB(A)

Bizonytalanság KpA: 3 dB(A)

Viseljen hallásvédelmi eszközt.

A gyorsulás tipikus súlyozott négyzetes középértéke nem haladja meg a 2,5m/s<sup>2</sup> értéket.

## OBEČNÁ VAROVÁNÍ TÝKAJÍCÍ SE BEZPEČNOSTI EL. PŘÍSTROJE

### **⚠ UPOZORNĚNÍ**

Přečtěte si všechna varování týkající se bezpečnosti a všechny pokyny.

Nedodržení těchto varování a pokynů může mít za následek elektrický šok, požár a/nebo vážné zranění.

Všechna varování a pokyny si uschovejte. V budoucnu se vám mohou hodit.

Pojem "elektrický nástroj" v těchto varováních se vztahuje k vašemu elektrickému nástroji napájenému ze sítě (se šňůrou) nebo napájenému z baterie (bez šňůry).

### 1) Bezpečnost na pracovišti

- Udržujte vaše pracoviště čisté a dobře osvětlené.**  
*V důsledku nepořádku nebo tmy dochází k nehodám.*
- Neprovozujte elektrické nástroje ve výbušném ovzduší, např. v přítomnosti hořlavých kapalin, plynů či prachu.**  
*Elektrické nástroje produkují jiskry, které by mohly zapálit prach anebo plyny.*
- Během práce s elektrickým nástrojem zabraňte přístupu dětí a přihlízejících osob.**  
*Rozptylování by mohlo způsobit ztrátu vaší kontroly nad nástrojem.*

### 2) Elektrická bezpečnost

- Zástrčka elektrického nástroje musí odpovídat zásuvce.**  
**Nikdy se nepokoušejte zástrčku jakkoli upravovat. U uzemněných elektrických nástrojů nepoužívejte žádné rozbočovací zásuvky.**  
*Neupravované zástrčky a odpovídající zásuvky snižují nebezpečí elektrického šoku.*
- Zabraňte kontaktu s uzemněnými povrchy jako jsou trubky, radiátory, sporáky a lednice.**  
*Je-li uzemněné vaše tělo, existuje zvýšené nebezpečí elektrického šoku.*
- Nevystavujte elektrický nástroj dešti nebo vlhkým podmínkám.**  
*Voda, která vnikne do elektrického nástroje, zvyšuje nebezpečí elektrického šoku.*
- Zacházejte správně s napájecí šňůrou. Nikdy šňůru nepoužívejte k přenášení, tahání nebo odpojování elektrického nástroje ze zásuvky. Umístěte napájecí šňůru mimo působení horka, mimo olej, ostré hrany nebo pohybující se části.**  
*Poškozené nebo zamotané šňůry zvyšují nebezpečí elektrického šoku.*
- Během provozu elektrického nástroje venku používejte prodlužovací šňůru vhodnou k venkovnímu použití.**  
*Použití šňůry vhodné k venkovnímu použití snižuje nebezpečí elektrického šoku.*
- Pokud je použití elektrického nástroje na vlhkém místě nevyhnutelné, použijte napájení s ochranným zařízením na zbytkový proud.**  
*Použití zařízení na zbytkový proud snižuje riziko elektrického šoku.*

### 3) Osobní bezpečnost

- Bud'te pozorní, sledujte, co děláte a při práci s elektrickým nástrojem používejte zdravý rozum. Elektrický nástroj nepoužívejte, jste-li unaveni nebo pod vlivem drog, alkoholu nebo léků.**

*Jediný okamžik nepozornosti při práci s elektrickým nástrojem může způsobit vážné zranění.*

- Používejte osobní ochranné pracovní pomůcky. Vždy noste ochranu očí.**  
*Ochranné pracovní pomůcky jako respirátor, bezpečnostní obuv s protiskluzovou podrážkou, ochranná přilba nebo ochrana sluchu použité v příslušných podmínkách snižují možnost zranění.*
  - Zabraňte nechtěnému spuštění. Před připojením ke zdroji napájení a/nebo bateriového zdroje, zvedáním nebo přenášením elektrického nástroje se ujistěte, že je spínač v poloze vypnuto.**  
*Nošením elektrických nástrojů s prstem na vypínači nebo jejich aktivací s vypínačem v poloze zapnuto vzniká nebezpečí úrazu.*
  - Před zapnutím elektrického nástroje odstraňte seřizovací klíč.**  
*Klíč ponechaný připevněný k rotující části elektrického nástroje může způsobit zranění.*
  - Nepřehánějte to. Vždy si udržujte správné postavení a stabilitu.**  
*To umožní lepší kontrolu nad elektrickým nástrojem v nepředvídaných situacích.*
  - Noste správný oděv. Nenoste volné oblečení ani šperky. Vlasy, oděv a rukavice udržujte mimo pohybující se části.**  
*Volný oděv, šperky nebo dlouhé vlasy mohou být vtáženy do pohybujících se částí.*
  - Pokud jsou k dispozici zařízení k připojení přístrojů k odsávání a sběru prachu, ujistěte se, že jsou připojena a správně používána.**  
*Použitím zařízení ke sběru prachu lze snížit rizika související s prachem.*
- 4) **Používání a péče o elektrický nástroj**
- Netlačte na elektrický nástroj. Používejte vždy vhodný elektrický nástroj pro danou aplikaci.**  
*Správný elektrický nástroj provede daný úkol lépe a bezpečněji, rychleji, pro jakou byl zkonstruován.*
  - Nepoužívejte elektrický nástroj, pokud nefunguje jeho zapínání a vypínání pomocí vypínače.**  
*Jakýkoli elektrický nástroj, který nelze ovládat vypínačem, je nebezpečný a musí být opraven.*
  - Před prováděním jakéhokoli seřízení, před výměnou příslušenství nebo uskladněním elektrických nástrojů vždy nejprve odpojte zástrčku ze zdroje napájení a/nebo odpojte bateriový zdroj.**  
*Taková preventivní opatření snižují nebezpečí nechtěného spuštění elektrického nástroje.*
  - Nepoužívané elektrické nástroje skladujte mimo dosah dětí a nedovolte, aby s elektrickým nástrojem pracovaly osoby, které nejsou seznámeny s ním nebo s pokyny k jeho používání.**  
*Elektrické nástroje v rukou nevyškolených uživatelů jsou nebezpečné.*
  - Udržujte elektrické nástroje. Kontrolujte případná vychýlení nebo sevření pohybujících se částí, poškození částí a jakékoli ostatní podmínky, které mohou mít vliv na provoz elektrických nástrojů. V případě poškození nechte elektrický nástroj před jeho dalším použitím opravit.**  
*Mnoho nehod vzniká v důsledku nesprávné údržby elektrických nástrojů.*
  - Udržujte řezací nástroje ostré a čisté.**  
*Správně udržované řezací nástroje s ostrými řeznými hranami se méně pravděpodobně zaseknou a lépe se ovládají.*

g) Elektrický nástroj, příslušenství, vsazené části atd. používejte v souladu s těmito pokyny. Berte přitom zřetel na pracovní podmínky a prováděnou práci.  
Použití elektrického nástroje k jinému než určenému účelu může způsobit nebezpečnou situaci.

5) Servis

a) Servis vašeho elektrického nástroje svěřte kvalifikovanému opraváři, který použije pouze identické náhradní díly.

Tak bude i nadále zajištěna bezpečnost elektrického nástroje.

PREVENTIVNÍ OPATŘENÍ

Nedovolte přístup dětem a slabomyslným osobám. Pokud nástroje nepoužíváte, měli byste je skladovat mimo dosah dětí a slabomyslných osob.

BEZPEČNOSTNÍ OPATŘENÍ PŘI POUŽITÍ PÁSOVÉ BRUSKY

UPOZORNĚNÍ

Před broušením zkontrolujte materiál, který chcete brousit.

Pokud lze očekávat, že při broušení bude vznikat škodlivý/toxický prach jako např. u olovnatých nátěrů, dřeva a kovů, ujistěte se, že je k vývodu prachu pevně připevněn sáček na prach nebo vhodný odprašovací systém.

Použijte také respirátor proti prachu, je-li k dispozici.

Nevdechujte ani se nedotýkejte škodlivého / toxického prachu vznikajícího při broušení, prach může ohrozit vaše zdraví a zdraví okolostojících osob.

PARAMETRY

Model	SB10V2	SB10S2
Napětí (podle oblasti)*	(110V, 220V, 230V, 240V) ~	
Vstupní příkon*	1020 W	
Rychlost pásu bez zatížení	240 – 420 m / min	420 m / min
Velikost pásu brusného papíru	100 × 610 mm	
Hmotnost (bez přírodního kabelu)	5,2 kg	

\* Zkontrolujte, prosíme, štítek na výrobku. Štítek podléhá změnám v závislosti na oblastech použití.

STANDARDNÍ PŘÍSLUŠENSTVÍ

- (1) Nekonečný brusný pás (zmitost: 80) ..... 1  
(2) Sáček na prach ..... 1  
Standardní příslušenství podléhá změnám bez upozornění.

2. Pevný stojan

Při broušení malých předmětů použijte podle potřeby pevný stojan.

Doplňky podléhají změnám bez předchozího upozornění.

DOPLŇKOVÉ PŘÍSLUŠENSTVÍ (Prodává se zvlášť)

1. Nekonečné brusné pásy

Tabulka 1

Zmitost	Druh zrna
40	AA, WA, CC
60	AA, WA, CC
80	AA, WA, CC
100	AA, WA, CC
120	AA, WA, CC
150	AA, WA, CC
180	AA, WA, CC
240	AA, WA, CC

POZNÁMKA:

Nekonečné brusné pásy se prodávají v baleních po 10 pásech stejného druhu.

Při objednávání specifikujte požadovaný druh a zmitost.

POUŽITÍ

- Konečné broušení a povrchová úprava podlah a výrobků ze dřeva.
- Základní leštění povrchů opatřených vrstvou dřeva.
- Konečné broušení kovových povrchů.
- Základní leštění povrchů opatřených vrstvou kovu, odstraňování rzi nebo starého nátěru před novým nátěrem.
- Konečná úprava břidlice, betonu a podobných materiálů.

PŘED POUŽITÍM

1. Zdroj napětí

Ujistěte se, že používaný zdroj napětí splňuje požadavky specifikované na štítku výrobku.

2. Spínač

Ujistěte se, že spínač je v poloze vypnuto. Pokud je zástrčka zasunuta v zásuvce elektrického proudu a spínač je v poloze „ON“, nástroj začne okamžitě pracovat, a to může způsobit vážný úraz.

3. Prodlužovací kabel

Pokud je pracoviště vzdáleno od zdroje, použijte prodlužovací kabel o správné tloušťce a kapacitě. Je třeba, aby prodlužovací kabel byl co nejkratší.

#### 4. Připevněte brusný pás.

Pro podrobnější informace viz kapitola "Instalace brusného pásu".

### MANIPULACE S BRUSNÝM PÁSEM

#### UPOZORNĚNÍ:

Ujistěte se, že jste přístroj vypnuli a odpojili ze zásuvky, abyste zabránili vážným potížím.

#### 1. Připevnění brusného pásu

- (1) Vytáhněte páku prstem, vodící kladka se posune směrem dozadu. (Obr. 1)
- (2) Brusný papír umístěte na kladku náhonu a vodící kladku přes vnější stranu základové desky a ujistěte se, že šípka uvnitř pásu se shoduje se směrem rotace kladky náhonu. (Obr. 2)
- (3) Zatlačte páku prstem, vodící kladka se posune směrem dopředu a zajistí správné napnutí brusného pásu. Dejte přitom pozor, aby vás páka neuhodila do prstu. Poté nastavte polohu brusného pásu.

#### UPOZORNĚNÍ:

Brusný pás instalovaný ve špatném směru snižuje efektivitu práce a zkracuje životnost brusného pásu.

#### 2. Odstranění brusného pásu

Vtáhněte páku prstem, brusný pás se prohne a lze jej snadno vyjmout z kladek.

### ODSTRANĚNÍ PRACHU

Je-li v sáčku na prach uloženo příliš velké množství prachu, efektivita odprašování prudce klesne.

Odstraňte prach ze sáčku, pokud je ze 2/3 plný, čímž zajistíte efektivitu odprašování (jakož i efektivitu práce). Postup odstranění prachu ze sáčku:

- (1) Uvolněte podpůrnou lištu a odstraňte sáček na prach. (Obr. 5)
- (2) Vstupní otvor sáčku lze otevřít rozepnutím zipu.

### POUŽÍVÁNÍ PÁSOVÉ BRUSKY

#### 1. Nastavení polohy broušení

Stlačte spínač a otočte brusný pás do kontrolní polohy. Nastavte brusný pás tak, aby oba okraje vyčnívaly přes okraje kladek o 1,6mm - 3mm.

Pokud je brusný pás provozován příliš daleko na vnitřní straně, může docházet k odírání a poškozování přístroje. Nastavte polohu brusného pásu otočením nastavovacího šroubu. (Obr. 3)

- Pro posunutí pásu dovnitř otočte nastavovacím šroubem ve směru hodinových ručiček.
- Pro posunutí pásu ven otočte nastavovacím šroubem proti směru hodinových ručiček.

#### UPOZORNĚNÍ:

Pokud se brusný pás během broušení hýbe, lze ho seřadit během provozu.

#### 2. Zapnutí spínače

Zapněte spínač a přitom držte přístroj dále od povrchu, který budete upravovat. Pokud je přístroj položen na povrchu a stisknete tlačítko, může dojít ke značnému poškrábání povrchu. Totéž platí při zastavování přístroje.

#### 3. Držení přístroje

Uchopte rukojeť a knoflík rukojeti a držte přístroj proti povrchu, který chcete upravovat, tak, aby se ho přístroj lehce dotýkal.

27

K maximálně efektivnímu vybroušení a vyleštění stačí samotná hmotnost přístroje.

Nevyvíjejte žádný přídavný tlak, neboť by došlo k nežádoucímu zatížení motoru, zkrácení životnosti brusného pásu a snížení efektivitu práce. (Obr. 4)

#### 4. Pohybování přístrojem

Přístrojem pohybujte nejprve vpřed a pak vzad a tento pohyb opakujte. (Obr. 4)

#### 5. Volba správného brusného pásu

Vyberte si brusný pás se správnou zrnitostí a druhem zrna a pro daný účel, viz **Tabulka 2** a **3** níže.

Tabulka 2

Původní povrchová úprava	Správná zrnitost
Hrubá povrchová úprava	40
Střední povrchová úprava	40 – 100
Jemná povrchová úprava	100 – 240

Tabulka 3

Druh zrna	Opracováváný povrch
AA	Ocel, Dřevo
WA	Dřevo, Bambus
CC	Barevné kovy, Břídlice, Plasty, Beton

#### UPOZORNĚNÍ:

- Pro zrnitost viz **Tabulka 3**
- Zrno brusného pásu by mělo být hrubší, než brusný papír používaný pro manuální broušení.
- Používejte brusný pás o stejné zrnitosti, dokud nedosáhnete rovnoměrného povrchu. Změny zrnitosti mohou způsobit nekvalitní povrchovou úpravu.

#### 6. Používání spínače

Spínač se zapne, když ho stlačíte, a stisknete-li zarážku, spínač se zamkne, čímž umožní plynulý chod. Zarážku lze uvolnit stlačením spínače. (Obr. 5)

#### 7. Nastavení rychlosti pásu: SB10V2

Pásová bruska je vybavena elektrickým regulačním obvodem, který umožňuje plynulou regulaci otáček. Pro nastavení rychlosti otočte číselníkem znázorněným na **Obr. 6**.

Je-li číselník v poloze "1", pásová bruska pracuje na minimální otáčky. Je-li číselník v poloze "5", pásová bruska pracuje na maximální otáčky.

#### 8. Opracování rohů

Rohy lze pomocí tohoto přístroje brousit a leštit dle **Obr. 7**.

### ÚDRŽBA A KONTROLA

#### 1. Kontrola brusného pásu

Jelikož používání opotřebovaného brusného pásu snižuje efektivitu, vyměňte brusný pás ihned, jakmile zjistíte nadměrné opotřebování.

#### 2. Kontrola šroubů

Pravidelně zkontrolujte všechny šrouby a ujistěte se, že jsou správně utažené. Pokud najdete některé šrouby uvolněné, ihned je utáhněte. Neutažené šrouby mohou vést k vážnému riziku.

#### 3. Údržba motoru

Vinutí motoru je srdce elektrického zařízení. Ujistěte se, že vinutí není poškozené nebo vlhké vodou nebo olejem.

#### 4. Kontrola uhlíkových kartáčků

Za účelem Vaší trvalé bezpečnosti a ochrany proti úrazu elektrickým proudem by mělo kontrolu uhlíkových kartáčků a jejich výměnu na tomto nářadí provádět POUZE Autorizované Servisní Středisko firmy Hitachi.

#### 5. Výměna přívodní kabelu

Pokud dojde k poškození přívodního kabelu nářadí, je třeba nářadí zaslat do Autorizovaného Servisního Střediska firmy Hitachi pro provedení výměny kabelu.

#### 6. Seznam servisních položek

A: Číslo položky

B: Kód položky

C: Číslo použití

D: Poznámky

#### POZOR

Opravy, modifikace a kontroly zařízení Hitachi musí provádět Autorizované servisní středisko Hitachi.

Tento seznam servisních položek bude užitečný, předložíte-li jej s vaším zařízením Autorizovanému servisnímu středisku Hitachi společně s požadavkem na opravu nebo další servis.

Při obsluze a údržbě elektrických zařízení musí být dodržovány bezpečnostní předpisy a normy platné v každé zemi, kde je výrobek používán.

#### MODIFIKACE

Výrobky firmy Hitachi jsou neustále zdokonalovány a modifikovány tak, aby se zavedly nejposlednější výsledky výzkumu a vývoje.

Následně, některé díly (např. čísla kódů nebo návrh) mohou být změněny bez předešlého oznámení.

---

#### ZÁRUKA

Ručíme za to, že elektrické nářadí Hitachi splňuje zákonné/místně platné předpisy. Tato záruka nezahrnuje závady nebo poškození vzniklé v důsledku nesprávného použití, hrubého zacházení nebo normálního opotřebení. V případě reklamace zašlete prosím elektrické nářadí v nerozebraném stavu společně se ZÁRUČNÍM LISTEM připojeným na konci těchto pokynů pro obsluhu do autorizovaného servisního střediska firmy Hitachi.

---

#### POZNÁMKA

Vlivem stále pokračujícího výzkumného a vývojového programu HITACHI mohou zde uvedené parametry podléhat změnám bez předchozího upozornění.

---

#### Informace o hluku a vibracích

Měřené hodnoty byly určeny podle EN60745 a deklarovány ve shodě s ISO 4871.

Změřená vážená hladina akustického výkonu A: 101 dB(A)  
 Změřená vážená hladina akustického tlaku A: 90 dB(A)  
 Neurčitost KpA: 3 dB(A)

Použijte ochranu sluchu.

Typická vážená odmocnina znamená, že hodnota zrychlení nesmí přestoupit hodnotu 2,5 m/s<sup>2</sup>.

---

## GENEL ELEKTRİKLİ ALET GÜVENLİK UYARILARI

### ⚠ DİKKAT

Tüm güvenlik uyarılarını ve tüm talimatları okuyun.

Uyarılara ve talimatlara uyulmaması elektrik çarpmasına, yangına ve/veya ciddi yaralanmaya neden olabilir.

Bu kılavuzu gelecekte başvurmak üzere saklayın.

Uyarılarda kullanılan "elektrikli alet" terimi, şebeke elektriğiyle çalışan (kablolu) veya pille çalışan (kablesiz) elektrikli aletinizi belirtir.

### 1) Çalışma alanının güvenliği

- Çalışma alanı temiz ve iyi aydınlatılmış olmalıdır.**  
Dağınık veya karanlık alanlar kazalara davetiye çıkarır.
- Elektrikli aletleri yanıcı sıvı, gaz veya toz patlayıcı maddelerin bulunduğu ortamlarda çalıştırmayın.**  
Elektrikli aletlerin çıkardığı kıvılcıklar toz veya gaz halinde bu maddeleri ateşleyebilir.
- Bir elektrikli aletle çalışırken çocukları ve izleyicileri uzaklaştırın.**  
Dikkatinizin dağılması kontrolü kaybetmenize neden olabilir.

### 2) Elektrik güvenliği

- Elektrikli aletin fişi elektrik prizine uygun olmalıdır.**  
Fişi herhangi bir şekilde değiştirmeyin.  
Topraklanmış elektrikli aletlerle herhangi bir adaptör kullanmayın.  
Fişlerde değişiklik yapılmaması ve uygun prizlerde kullanılması elektrik çarpması riskini azaltacaktır.
- Borular, radyatörler, fırınlar ve buzdolapları gibi topraklanmış yüzeylerle gövde temasından kaçının.**  
Vücudunuzun toprakla temasa geçmesi halinde elektrik çarpması riski artar.
- Elektrikli aletleri yağmura veya ıslak ortamlara maruz bırakmayın.**  
Elektrikli alete su girmesi elektrik çarpması riskini artıracaktır.
- Elektrik kablosuna zarar vermeyin.** Elektrikli aleti taşımak, çekmek veya fişini prizden çıkarmak için kabloyu kullanmayın.  
Kabloyu ısıdan, yağdan, keskin kenarlardan veya hareketli parçalardan uzak tutun.  
Hasar görmüş veya dolaşmış kablolar elektrik çarpması riskini artırır.
- Elektrikli aleti açık alanda kullanırken, açık alanda kullanıma uygun bir uzatma kablosu kullanın.**  
Açık alanda kullanıma uygun bir kablo kullanılması elektrik çarpması riskini azaltır.
- Eğer bir elektrikli aletin ıslak bir yerde kullanılması kaçınılmaz ise, artık akım cihazıyla (RCD) korunan bir güç kaynağı kullanın.**  
RCD kullanılması elektrik çarpması riskini azaltır.

### 3) Kişisel emniyet

- Bir elektrikli alet kullanırken daima tetikte olun;** yaptığınız işi izleyin ve sağduyulu davranın.  
Aleti yorgunken, alkol veya ilaç etkisi altındayken kullanmayın.  
Elektrikli aletleri kullanırken göstereceğiniz bir anlık dikkatsizlik ciddi yaralanmaya sonuçlanabilir.
- Kişisel koruyucu donanım kullanın. Daima koruyucu gözlük takın.**  
Uygun koşullar için kullanılan toz maskesi, kaymaz emniyet ayakkabıları, kask veya kulak koruyucu gibi koruyucu ekipmanlar yaralanmaları azaltacaktır.

- Aletin istenmeden çalışmasını engelleyin.** Aleti güç kaynağına ve/veya akü ünitesine bağlamadan, kaldırmadan veya taşımadan önce, güç düğmesinin kapalı konumda olduğundan emin olun.  
Elektrikli aletleri parmağınız güç düğmesinin üzerinde olarak taşımanız veya güç düğmesi açılmış durumda fişini takmanız kazalara davetiye çıkarır.
  - Aletin gücünü açmadan önce alet üzerindeki ayar veya somun anahtarlarını çıkarın.**  
Aletin dönen parçalarından birine bağlı kalan bir somun anahtarı veya ayar anahtarı yaralanmaya yol açabilir.
  - Çok fazla yaklaşmayın.** Uygun bir adım mesafesi bırakın ve sürekli olarak dengeni koruyun.  
Böylece, beklenmedik durumlarda aleti daha iyi kontrol etmeniz mümkün olur.
  - Uygun şekilde giyinin.** Bol elbiseler giymeyin ve takı eşyaları takmayın. Saçlarınızı, elbisenizi ve eldivenlerinizi hareketli parçalardan uzak tutun.  
Bol elbiseler, takılar veya uzun saçlar hareketli parçalara takılabilir.
  - Eğer toz çekme ve toplama bağlantıları için gerekli aygıtlar sağlanmışsa, bunların bağlı olduğundan ve doğru şekilde kullanıldığından emin olun.**  
Toz toplama kullanımı, tozla ilişkili tehlikeleri azaltabilir.
- 4) Elektrikli aletin kullanımı ve bakımı
- Elektrikli aleti zorlamayın.** Yapacağınız iş için doğru alet kullanın.  
Doğru alet, işinizi daha iyi ve tasarlanmış olduğu hız değerinde daha güvenli şekilde yapacaktır.
  - Elektrikli alet güç düğmesinden açılıp kapanmıyorsa, aleti kullanmayın.**  
Güç düğmesiyle kontrol edilemeyen bir alet tehlikelidir ve tamir edilmeden kullanılmamalıdır.
  - Herhangi bir ayar yapmadan, aksesuarları değiştirmeden veya aleti saklamadan önce fişi güç kaynağından ve/veya akü ünitesinden sökün.**  
Bu koruyucu güvenlik önlemleri, elektrikli aletin kazayla çalışma riskini azaltır.
  - Atıl durumdaki elektrikli aletleri çocukların ulaşamayacağı bir yerde saklayın ve elektrikli alet ve bu kullanım talimatları hakkında bilgi sahibi olmayan kişilerin aleti kullanmasına izin vermeyin.**  
Elektrikli aletler eğitimsiz kullanıcıların elinde tehlikelidir.
  - Elektrikli aletin bakımını yapın.** Hareketli parçalarda yanlış hizalanma veya sıkışma olup olmadığını, kırık parça olup olmadığını ve elektrikli aletin çalışmasını etkileyebilecek diğer koşulları kontrol edin.  
Eğer hasar varsa, kullanmadan önce aleti tamir ettirin.  
Kazaların çoğu elektrikli aletlere kötü bakım işlemleri uygulanmasından kaynaklanmaktadır.
  - Aletleri keskin ve temiz tutun.**  
Uygun şekilde bakımı yapılan, keskin kenarlara sahip aletlerin sıkışma ihtimali daha azdır ve kontrol edilmesi daha kolaydır.
  - Elektrikli aleti, aksesuarları, uçları, v.b., bu talimatlara uygun şekilde, çalışma koşullarını ve yapılacak işi göz önünde bulundurarak kullanın.**  
Elektrikli aletin amaçlanan kullanımlardan farklı işlemler için kullanılması tehlikeli bir duruma yol açabilir.
- 5) Servis
- Elektrikli aletinizin servisini sadece orijinal yedek parçalar kullanmak suretiyle uzman bir tamirciye yaptırın.**  
Böylece, elektrikli aletin güvenli kullanımı sağlanacaktır.

**ÖNLEM**

**Çocukları ve zayıf kişileri uzak tutun.**

**Alet, kullanılmadığı zamanlarda çocukların ve zayıf kişilerin ulaşamayacağı bir yerde saklanmalıdır.**

**BANTLI ZIMPARAYI KULLANIRKEN ALINACAK ÖNLEMLER****DİKKAT**

Zımpara işlemine başlamadan önce zımpara yapacağınız malzemeyi kontrol edin.

Zımpara işlemi sırasında kurşunlu boya, ahşap veya metal gibi zararlı / zehirli tozların oluşması beklenmekteyse, toz torbasının veya uygun toz çekme sisteminin toz çıkışına sıkıca bağlandığından emin olun.

Ayrıca eğer mevcutsa toz maskesi takın.

Zımpara işleminin yaratacağı zararlı / zehirli tozları tenefüs etmeyin veya dokunmayın, bu toz sizin veya etrafınızdakilerin sağlığını tehdit edebilir.

**TEKNİK ÖZELLİKLER**

Model	SB10V2	SB10S2
Voltaj (bölgelere göre)*	(110V, 220V, 230V, 240V) ~	
Güç girişi*	1020 W	
Yüksüz bant hızı	240 – 420 m / min	420 m / min
Zımpara kağıdı bant ölçüleri	100 × 610 mm	
Ağırlık (kablo hariç)	5,2 kg	

\* Bu değer bölgeden bölgeye değişiklik gösterdiği için ürünün üzerindeki plakayı kontrol etmeyi unutmayın.

**STANDART AKSESUARLAR**

- (1) Sonsuz Zımpara Bandı (Kum boyu: #80) ..... 1  
 (2) Toz torbası ..... 1  
 Standart aksesuarlarda önceden bildirimde bulunulmadan değişiklik yapılabilir.

**İSTEĞE BAĞLI AKSESUARLAR – ayrıca satılır****1. Sonsuz Zımpara Bantları****Tablo 1**

Kum boyu	Kum tipi
40	AA, WA, CC
60	AA, WA, CC
80	AA, WA, CC
100	AA, WA, CC
120	AA, WA, CC
150	AA, WA, CC
180	AA, WA, CC
240	AA, WA, CC

**NOT:**

Sonsuz zımpara bandı aynı tipte 10 bantlık paketler halinde satılmaktadır.  
 Sipariş verirken istenen kum tipini ve kum boyunu belirtin.

**2. Sabit Baza**

Küçük parçaları zımparalarken kolaylık sağlaması için sabit baza kullanın.  
 İsteğe bağlı aksesuarlarda önceden bildirimde bulunulmadan değişiklik yapılabilir.

**UYGULAMALAR**

- Ahşap ürünlerin son zımparası ve son kaplaması.
- Ahşap kaplama yüzeylerin temel parlatması.
- Metal yüzeylerin son zımparası.
- Metal kaplama yüzeylerin temel parlatması, pas giderme veya tesviye öncesi boya kaldırma.
- Karo, çimento ve benzeri malzemelerin yüzey perdahlaması.

**ALETİ KULLANMADAN ÖNCE****1. Güç kaynağı**

Kullanılan güç kaynağının, ürünün üzerinde bulunan plakada belirtilen güç gerekliliklerine uygun olduğundan emin olun.

**2. Açma/ Kapama anahtarı**

Açma/ kapama anahtarının OFF konumunda olduğundan emin olun. Açma/ kapama anahtarı ON konumundayken aletin fişi prize takılırsa, alet derhal çalışmaya başlar ve ciddi kazalar meydana gelebilir.

**3. Uzatma kablosu**

Çalışma alanı güç kaynağından uzakta olduğunda, yeterli kalınlıkta ve belirtilen gücü kaldırabilen bir uzatma kablosu kullanın. Uzatma kablosu olabildiğince kısa tutulmalıdır.

**4. Zımpara bandını takın.**

Ayrıntılar için "Zımpara Bandı Montajı" bölümüne bakınız.

**ZIMPARA BANDININ KULLANIMI****DİKKAT:**

Ciddi sorunları önlemek için gücü KAPATTIĞINIZDAN ve fişi prizden çektiğinizden emin olun.

**1. Zımpara bandının takılması**

- (1) Manivelayı parmağınızla itin, avara kasnağı arkaya hareket edecektir. (Şekil 1)
- (2) Tahrik kasnağı ve pabuç plakasının dışından geçirek avara kasnağı üzerine yerleştirin ve bandın içindeki okun tahrik kasnağının dönüş yönüne denk geldiğinden emin olun. (Şekil 2)
- (3) Manivelayı parmağınızla itin, avara kasnağı ileriye hareket edecektir, zımpara bandına uygun gerginlik verin. Burada manivelanın parmağınıza çarpmamasına dikkat edin. Sonra zımpara bandı pozisyonunu ayarlayın.

**DİKKAT:**

Yanlış yönde takılmış zımpara bandı iş verimini azaltır ve zımpara bandının ömrünü kısaltır.

**2. Zımpara bandının çıkarılması**

Manivelayı parmağınızla itin, zımpara bandı sarkar ve kasnaklardan kolayca çıkarılabilir.

**TOZ GİDERME**

Toz torbasında çok fazla toz biriktiğinde, toz toplama randımanı önemli ölçüde düşer.

Torba kapasitesinin yaklaşık 2/3'ü dolduğunda torbadaki tozu boşaltın, böylece toz toplama randımanı (ve ayrıca iş randımanı) sağlanacaktır.

Torbadaki tozu aşağıdaki şekilde boşaltın:

- (1) Destek çubuğunu gevşetin ve toz torbasını çıkarın. (Şekil 5)
- (2) Fermuar çekilerek torbanın ağzı açılabilir.

**BANTLI ZIMPARANIN KULLANIMI****1. Zımpara pozisyonunun ayarlanması.**

Anahtarı itin ve zımpara bandını kontrol pozisyonuna getirin. Her iki kenar kasnakların kenarlarından 1,6 mm - 3 mm çıkacak şekilde zımpara bandını ayarlayın.

Zımpara bandı iç kısımda çok fazla çalıştırıldığı takdirde aşınmaya neden olabilir ve makineye zarar verebilir. Ayar vidasını çevirerek zımpara bandı pozisyonunu ayarlayın. (Şekil 3)

- Bandı içeri doğru hareket ettirmek için ayar vidasını saat yönünde çevirin.
- Bandı dışarı doğru hareket ettirmek için ayar vidasını saat yönünün tersine çevirin.

**DİKKAT:**

Zımpara bandı çalıştırma sırasında yerinden oynarsa çalışmaya ara vermeden ayar yapılabilir.

**2. Anahtarın açılması**

Makineyi çalışılacak yüzeyden uzak tutarak anahtarı açın. Anahtara basıldığında makinenin yüzey üzerinde olması halinde, yüzey çok kötü şekilde çizilebilir. Aynı şey makine durdurulurken de geçerlidir.

**3. Makinenin tutulması**

Kolu ve kol tokmağını sıkıca tutun ve makineyi çalışılacak yüzeye hafifçe temas edecek şekilde tutun. Makinenin kendi ağırlığı en yüksek etkinlikte zımparalama ve parlatma yapmak için yeterlidir.

Ek basınç tatbik etmeyin, bu motora gereksiz yük binmesine, zımpara bandının ömrünün kılmasına iş randımanının düşmesine neden olur. (Şekil 4)

**4. Makinenin hareket ettirilmesi**

Makineyi önce ileriye sonra geriye hareket ettirin ve bu hareketi tekrarlayın. (Şekil 4)

**5. Uygun zımpara bandının seçilmesi**

Amacınıza uygun kum boyutu ve kum tipindeki zımpara bandını aşağıda **Tablo 2** ve **3'e** göre seçin.

**Tablo 2**

Türeme rötüş	Uygun kum boyu
Kaba rötüş	40
Orta rötüş	40 – 100
Hassas rötüş	100 – 240

**Tablo 3**

Kum tipi	Üzerinde çalışılacak yüzey
AA	Çelik, Ahşap
WA	Ahşap, Bambu
CC	Demir içermeyen metaller, Plastik, Kaygan taş, Beton

**DİKKAT:**

- Kum boyu için **Tablo 3'e** bakın
- Zımpara bandı kumları, elle çalışmada kullanılan zımpara kağıdından daha iri taneli olmalıdır.
- Muntazam bir yüzey elde edilene kadar aynı kum boyuna sahip zımpara bandını kullanın. Kum boyunun değiştirilmesi kötü rötüşa neden olabilir.

**6. Anahtarın çalıştırılması**

Açma/kapama anahtarı çekildiğinde güç anahtarı AÇILIR ve durdurucuya bir kere bastırıldığında güç anahtarı kilitletir ve sürekli çalışma yapılmasını sağlar.

Açma/kapama anahtarı çekilerek durdurucu serbest bırakılabilir. (Şekil 5)

**7. Bant hızının ayarlanması: SB10V2**

Bantlı Zımpara, kademesiz hız kontrolünü sağlayan bir elektrik kontrol devresi ile donatılmıştır. Hızı ayarlamak için, **Şekil 6'da** gösterilen kadranı çevirin.

Kadran "1"e ayarlandığında bantlı zımpara en düşük hızda çalışır. Kadran "5"e ayarlandığında bantlı zımpara en yüksek hızda çalışır.

**8. Köşelerde çalışma**

Köşeler, makine **Şekil 7'de** gösterildiği gibi kullanılarak zımparalanabilir ve parlatılabilir.

**BAKIM VE İNCELEME****1. Zımpara Bandının Kontrolü:**

Aşınmış bir zımpara bandının sürekli kullanımı etkinliği düşüreceği için, aşırı aşınma fark edildiğinde zımpara bandını değiştirin.

**2. Montaj vidalarının incelenmesi:**

Tüm montaj vidalarını düzenli olarak inceleyin ve sağlam şekilde sıkılı olduğundan emin olun. Gevşeyen vidaları derhal sıkın. Gevşemiş vidalar ciddi tehlikelere yol açabilir.

**3. Motorun incelenmesi**

Motor biriminin sargıları, bu ağır iş aletinin "kalbidir". Sargının hasar görmediğinden ve/veya yağ ya da su ile ıslanmadığından emin olun.



**4. Kömürlerin incelenmesi**

Güvenliğiniz ve elektrik çarpmasına karşı koruma için bu alette kömürlerin incelenmesi ve değiştirilmesi sadece Hitachi Yetkili Servis Merkezi tarafından yapılmalıdır.

**5. Elektrik kablosunun değiştirilmesi**

Aletin elektrik kablosu hasar görmüşse, kablunun değiştirilmesi için alet Hitachi Yetkili Servis Merkezine götürülmelidir.

**6. Servis parçaları listesi**

- A : Parça no.
- B : Kod no.
- C : Kullanılan sayı
- D : Açıklamalar

**DİKKAT**

Hitachi Güç Takımlarının onarımı, modifikasyonu ve gözden geçirilmesi Hitachi yetkili Servis Merkezi tarafından yapılmalıdır.

Hitachi yetkili Servis Merkezine tamir ya da bakım amacıyla başvurulduğunda Parça Listesinin takım ile birlikte verilmesi faydalı olacaktır.

Güç takımlarının çalıştırılması ve bakımlarının yapılması esnasında her ülke için belirtilen güvenlik düzenlemelerine ve standartlarına uyulması gerekmektedir.

**DEĞİŞİKLİKLER**

Hitachi Ağır İş Aletleri en son teknolojik ilerlemelere uygun olarak sürekli değiştirilmekte ve geliştirilmektedir. Dolayısıyla ısıyla, bazı kısımlarda (örneğin kod numaraları ve/veya tasarım gibi) önceden bildirimde bulunulmadan değişiklik yapılabilir.

**GARANTİ**

Hitachi Elektrikli El Aletlerine ülkelere özgü hukuki düzenlemeler çerçevesinde garanti vermekteyiz. Bu garanti, yanlış veya kötü kullanım, normal aşınma ve yıpranmadan kaynaklanan arıza ve hasarları kapsamamaktadır. Şikayet durumunda, Elektrikli El Aleti, sökülmemiş bir şekilde, bu kullanım kılavuzunun sonunda bulunan GARANTİ BELGESİYLE birlikte bir Hitachi yetkili servis merkezine gönderilmelidir.

**NOT**

HITACHI'nin süregelen araştırma ve geliştirme programına bağlı olarak burada belirtilen teknik özelliklerde önceden bildirimde bulunulmadan değişiklik yapılabilir.

**Havadan yayılan gürültü ve titreşimle ilgili bilgiler**

Ölçülen değerlerin EN60745 ve ISO 4871'e uygun olduğu tespit edilmiştir.

Ölçülmüş A-ağırlıklı gürültü güç derecesi: 101 dB(A)

Ölçülmüş A-ağırlıklı gürültü güç derecesi: 90 dB(A)

Belirsiz KpA: 3 dB(A)

Kulak koruyucusu kullanın.

Tipik ağırlıklı etkin (RMS) ivme değeri 2,5 metre/saniye<sup>2</sup>'yi geçmez.

## AVERTISMENTE GENERALE PRIVIND SIGURANȚA ÎN FOLOSIREA SCULEI ELECTRICE

### ⚠ AVERTISMENT

Citiți toate avertismentele privind siguranța și toate instrucțiunile.

Nerespectarea avertismentelor și a instrucțiunilor poate avea ca efect producerea de șocuri electrice, incendii și/sau vătămări grave.

**Păstrați toate avertismentele și toate instrucțiunile, pentru a le putea consulta pe viitor.**

Termenul "sculă electrică" prezent în toate avertismentele de mai jos se referă la scula dumneavoastră electrică alimentată la priză (cu cablu de alimentare) sau la scula electrică alimentată de la acumulatori (fără cablu de alimentare).

#### 1) Siguranța în zona de lucru

- Păstrați zona de lucru curată și bine luminată.**  
*Zonele de lucru dezordonate și întunecate predispun la accidente.*
- Nu utilizați sculele electrice în atmosferă explozivă, cum ar fi în prezența lichidelor, gazelor sau a prafurilor inflamabile.**  
*Sculele electrice produc scânteii care pot aprinde praful sau aburul.*
- Țineți copiii sau privitorii la distanță în timp ce utilizați scula electrică.**  
*Distragerea atenției vă poate face să pierdeți controlul asupra sculei.*

#### 2) Siguranța din punct de vedere electric

- Ștecărele sculelor electrice trebuie să se potrivească în prizele în care sunt introduse. Nu modificați niciodată ștecărul în nici un fel. Nu folosiți niciun fel de adaptoare pentru ștecăr la sculele electrice cu împământare (legate la pământ).**  
*Ștecărele nemodificate și prizele potrivite reduc riscul de șoc electric.*
- Evitați contactul corpului cu suprafețele legate la pământ, cum ar fi conductele, radiatoarele, cuptoarele și frigiderale.**  
*În cazul în care corpul dvs. este legat la pământ există un risc crescut de electrocutare.*
- Nu expuneți sculele electrice la ploaie și nu le lăsați în atmosferă umedă.**  
*Intrarea apei într-o sculă electrică mărește riscul de electrocutare.*
- Nu forțați cablul de alimentare. Nu folosiți niciodată cablul de alimentare pentru a transporta, a trage sau a scoate scula electrică din priză. Țineți cablul de alimentare departe de căldură, ulei, muchii ascuțite și de piese în mișcare.**  
*Cablurile de alimentare deteriorate sau încolăcite măresc riscul de șoc electric.*
- Atunci când folosiți o sculă electrică în aer liber, folosiți un prelungitor adecvat pentru utilizarea în exterior.**  
*Folosirea unui prelungitor adecvat pentru exterior reduce riscul de șoc electric.*
- Dacă utilizarea într-o zonă umedă nu poate fi evitată, folosiți o sursă de alimentare cu întrerupător de protecție la curent rezidual (RCD). Folosirea dispozitivelor RCD reduce riscul producerii șocurilor electrice.**

#### 3) Siguranța personală

- Atunci când folosiți o sculă electrică fiți vigilenți, fiți atent la ceea ce faceți și acționați conform bunului simț.**  
**Nu folosiți scule electrice atunci când sunteți obosit sau vă aflați sub influența drogurilor, a alcoolului sau a medicamentelor.**  
*Un moment de neatenție în timpul utilizării unei scule electrice poate provoca vătămări personale grave.*
  - Folosiți echipament personal de protecție. Purtați întotdeauna protecție a ochilor.**  
*Echipamentele de protecție cum ar fi măștile pentru praf, încălțăminte anti-alunecare, căștile și protecțiile auditive, folosite în situațiile corespunzătoare, reduc vătămările personale.*
  - Evitați pornirea accidentală. Înainte de a conecta scula la priză și/sau la bateria de acumulatori și înainte de a ridica sau transporta scula, asigurați-vă că aveți comutatorul de pornire pe poziția oprit.**  
*Transportarea sculelor electrice cu degetul pe comutator sau introducerea în priză a sculelor electrice care au comutatorul pe poziția pornit sunt situații ce predispun la accidente.*
  - Înainte de a pune scula electrică în funcțiune, îndepărtați toate cheile de reglare și orice alte chei.**  
*O cheie sau o cheie de reglare rămase atașate de piesa rotativă a sculei electrice poate provoca vătămări personale.*
  - Nu încercați să ajungeți prea departe. Mențineți permanent un contact corect al piciorului și un bun echilibru.**  
*Acest lucru permite un mai bun control al sculei electrice în situații neașteptate.*
  - Îmbrăcați-vă adecvat. Nu purtați haine largi și nici bijuterii. Țineți-vă părul, hainele și mănușile departe de piesele în mișcare.**  
*Hainele largi, bijuteriile și pot fi prinse în piesele în mișcare.*
  - Dacă sunt prevăzute dispozitive de conectare la facilități de extragere și colectare a prafului, asigurați-vă că acestea sunt conectate și sunt folosite corespunzător.**  
*Folosirea acestor dispozitive poate reduce pericolele legate de praf.*
- #### 4) Utilizarea și îngrijirea sculei electrice
- Nu forțați scula electrică. Folosiți scula adecvată pentru aplicația dvs.**  
*Scula potrivită va face treabă mai bună și mai sigură la parametrii la care a fost proiectată.*
  - Nu folosiți scula electrică în cazul în care comutatorul nu își îndeplinește funcția de pornire și oprire.**  
*Sculele electrice care nu pot fi comandate prin intermediul comutatorului sunt periculoase și trebuie reparate.*
  - Înainte de a face orice fel de reglaje, de a schimba accesoriile și de a depozita sculele electrice, scoateți ștecărul din priză și/sau de la bateria de acumulatori.**  
*Aceste măsuri preventive de siguranță reduc riscul pornirii accidentale a sculei electrice.*

- d) **Depozitați sculele electrice neutilizate departe de zona de acțiune a copiilor și nu lăsați persoanele care nu sunt familiarizate cu scula electrică sau cu prezentele instrucțiuni să folosească scula electrică.**

*Sculele electrice sunt periculoase în mâinile utilizatorilor neinstruiți.*

- e) **Întrețineți sculele electrice. Verificați alinierea și prinderea pieselor în mișcare, ruperea pieselor precum și toate celelalte aspecte care ar putea să influențeze funcționarea sculelor electrice. Dacă scula electrică este deteriorată, înainte de a o utiliza duceți-o la reparat.**

*Multe accidente sunt provocate de scule electrice necorespunzător întreținute.*

- f) **Păstrați elementele de tăiere curate și ascuțite. Elementele de tăiere bine întreținute și cu muchiile tăietoare bine ascuțite sunt mai ușor de controlat și este mai puțin probabil să se agațe.**

- g) **Folosiți scula electrică, accesoriile și vârfurile etc. în conformitate cu prezentele instrucțiuni, luând în considerare condițiile de lucru și operațiunile ce urmează a fi efectuate.**

*Folosirea sculei electrice pentru alte operațiuni decât cele prevăzute poate avea ca efect apariția unor situații periculoase.*

#### 5) Service

- a) **Scula electrică trebuie reparată de o persoană calificată, folosind numai piese de schimb identice.**

*Astfel se asigură menținerea siguranței sculei electrice.*

#### PRECAUȚIE

**Țineți copiii și persoanele infirme la distanță. Atunci când nu este folosită, scula electrică trebuie depozitată departe de zona de acțiune a copiilor și a persoanelor infirme.**

#### PRECAUȚII LA UTILIZAREA SLEFUITOR CU BANDĂ

##### PRECAUȚIE

Înainte de a începe operațiunea de polizare, fiți atenți la materialul pe care urmează să îl prelucrați.

Dacă în urma operațiunii de polizare este de așteptat să apară pulberi dăunătoare / toxice cum ar fi pulberi de vopsea cu plumb, lemn sau metal, asigurați-vă că sacul pentru praf sau sistemul de extragere a prafului este conectat și are ieșirea pentru praf etanșată.

Suplimentar, purtați mască împotriva prafului, dacă aceasta există.

Nu inhalați și nu atingeți pulberile dăunătoare / toxice generate în timpul operațiunii de polizare, pulberile pot pune în pericol sănătatea dumneavoastră și a persoanelor din apropiere.

#### SPECIFICAȚII

Model	SB10V2	SB10S2
Tensiune de alimentare (pe zone)*	(110V, 220V, 230V, 240V) ~	
Putere instalată*	1020 W	
Viteza benzii fără sarcină	240 – 420 m / min	420 m / min
Dimensiunea benzii abrazive	100 × 610 mm	
Greutate (fără curea)	5,2 kg	

\* Verificați plăcuța cu specificații a produsului, deoarece acesta poate diferi de la o zonă la alta.

#### ACCESORII STANDARD

- (1) Bandă abrazivă fără sfârșit (Dimensiunea granulației #80) ..... 1  
 (2) Sac pentru praf ..... 1  
 Accesoriile standard pot fi schimbate fără notificare prealabilă.

#### ACCESORII OPȚIONALE (SE VÂND SEPARAT)

##### 1. Benzi abrazive fără sfârșit

Tabelul 1

Dimensiunea granulației	Tipul granulației
40	AA, WA, CC
60	AA, WA, CC
80	AA, WA, CC
100	AA, WA, CC
120	AA, WA, CC
150	AA, WA, CC
180	AA, WA, CC
240	AA, WA, CC

**NOTĂ:**

Benzile abrazive fără sfârșit se vând în pachete de 10 benzi de același tip.  
La plasarea comenzii specificați tipul granulației și dimensiunea granulației.

**2. Suport fix**

La polizarea obiectelor mici folosiți un suport fix adecvat. Accesoriile standard pot fi schimbate fără notificare prealabilă.

**UTILIZARE**

- Polizarea de finisare și finisarea produselor din lemn.
- Lustruirea de bază a suprafețelor acoperite cu lemn.
- Polizarea de finisare a suprafețelor metalice.
- Lustruirea de bază a suprafețelor cu acoperire metalică sau îndepărtarea vopselei înainte de refinisare.
- Finisarea suprafețelor din gresie, betonu și a altor materiale similare.

**ÎNAINTE DE UTILIZARE**

**1. Sursa de alimentare cu energie electrică**

Asigurați-vă de faptul că sursa de alimentare cu energie electrică ce urmează a fi folosită este conformă cu cerințele indicate pe plăcuța indicatoare a produsului.

**2. Comutatorul pentru punere în funcțiune**

Asigurați-vă că ați poziționat comutatorul în poziția OFF (OPRIT). Dacă ștecherul este conectat la priză iar comutatorul este în poziția ON (PORNIT), mașina va începe să funcționeze imediat, putându-se produce vătămări grave.

**3. Cablul prelungitor**

Atunci când zona de lucru este departe de sursa de alimentare, folosiți un cablu prelungitor de o grosime suficientă și cu parametri corespunzători. Cablul prelungitor trebuie să fie cât mai scurt posibil.

**4. Montarea benzii abrazive.**

Pentru detalii, consultați secțiunea referitoare la "Ansamblul benzii abrazive".

**CUM SE MANEVREAZĂ BANDA ABRAZIVĂ**

**PRECAUȚIE:**

Asigurați-vă că ați OPRIT aparatul și că ați scos ștecherul din priză, pentru a evita situațiile grave.

**1. Modul de atașare a benzii abrazive**

- (1) Trageți pârghia cu degetul, astfel că fulia condusă se va mișca spre înapoi. (Fig. 1)
- (2) Plasați-o pe fulia motoare și pe fulia condusă trecându-o peste partea exterioară a plăcii suport și asigurându-vă că săgeata de pe interiorul benzii abrazive coincide cu direcția de rotație a fuliei motoare. (Fig. 2)
- (3) Împingeți pârghia cu degetul, fulia condusă se va deplasa spre înainte și astfel se va realiza tensionarea corespunzătoare a benzii abrazive. În acest caz, aveți grijă ca degetul să nu fie lovit de pârghie. Apoi, reglați poziția benzii abrazive.

**PRECAUȚIE:**

Instalarea benzii abrazive într-o direcție necorespunzătoare va duce la scăderea eficienței muncii și la scurtarea duratei de viață a benzii abrazive.

**2. Modul de scoatere a benzii abrazive**

Trageți pârghia cu degetul, banda abrazivă se va detensiona și va putea fi scoasă cu ușurință de pe fulii.

**ÎNDEPĂRTAREA PRAFULUI**

Atunci când în sacul pentru praf s-a strâns o cantitate excesivă de praf, eficiența colectării prafului va scădea rapid.

Scoateți sacul pentru praf atunci când acesta s-a umplut cam la 2/3 din capacitate, pentru a menține eficiența colectării prafului (cât și eficiența operațiunii).

Îndepărtarea sacului pentru praf se face astfel:

- (1) Slăbiți bara de susținere și scoateți sacul pentru praf. (Fig. 5)
- (2) Sacul se poate deschide prin desfacerea dispozitivului glisant de închidere.

**MODUL DE UTILIZARE A SLEFUITOR CU BANDĂ**

**1. Modul de reglare a poziției de polizare.**

Apăsăți comutatorul și rotiți banda abrazivă pentru a verifica poziționarea acesteia. Reglați banda abrazivă astfel încât ambele margini să iasă 1,6mm - 3mm în afara marginilor fuliilor.

Dacă banda abrazivă este folosită prea în interior, poate apărea abraziune și mașina se poate defecta. Reglați poziția benzii abrazive prin rotirea șurubului de reglare. (Fig. 3)

- Rotiți șurubul de reglare în sensul acelor de ceasornic pentru a deplasa banda spre interior.
- Rotiți șurubul de reglare în sens invers acelor de ceasornic pentru a deplasa banda spre exterior.

**PRECAUȚIE:**

Dacă banda abrazivă se mișcă în timpul utilizării, reglajul se va face în timpul utilizării.

**2. Acționarea comutatorului de pornire**

Acționați comutatorul de pornire ținând mașina departe de suprafața ce urmează a fi prelucrată. Dacă atunci când o porniți mașina este pusă pe suprafață, suprafața se poate zgâria foarte tare.

Acest lucru este valabil și la oprirea mașinii.

**3. Cum se ține mașina**

Prindeți mânerul și butonul mânerului și țineți mașina pe suprafața de prelucrat, astfel încât mașina să vină ușor în contact cu suprafața.

Greutatea mașinii este suficientă pentru polizare și finisare foarte eficiente.

Nu aplicați presiune suplimentară, deoarece aceasta ar adăuga o sarcină inutilă motorului, va scurta durata de viață a benzii abrazive și va scădea eficiența operațiunii. (Fig. 4)

**4. Cum se deplasează mașina**

Deplasați mașina mai întâi spre înainte și după aceea spre înapoi, repetând această mișcare. (Fig. 4)

**5. Cum se alege banda abrazivă corespunzătoare**

Alegeți banda abrazivă care are dimensiunea granulației și tipul de granulație adecvate scopului dumneavoastră specific, consultând **Tabelele 2 și 3** de mai jos.

Tabelul 2

Finisare preliminară	Dimensiunea adecvată a granulației
Finisare grosieră	40
Finisare medie	40 – 100
Finisare fină	100 – 240

Tabelul 3

Tip de granulație	Suprafață de prelucrat
AA	Oțel, Lemn
WA	Lemn, Bambus
CC	Metale neferoase, Ardezie, Materiale plastice, Beton

**PRECAUȚIE:**

- Pentru dimensiunea granulației, consultați **Tabelul 3**
- Granulația benzii abrazive trebuie să fie mai grosieră decât cea pentru șmirghel.
- Folosiți benzi abrazive de aceeași granulație până la obținerea unei suprafețe uniforme. Schimbarea dimensiunii granulației poate duce la o finisare de slabă calitate.

**6. Cum se acționează comutatorul**

Comutatorul este pus pe poziția ON (pornit) atunci când butonul este tras și, dacă opritorul este apăsat o dată, comutatorul se blochează, permițând astfel o utilizare continuă.

Opritorul se deblochează prin tragerea comutatorului. (Fig. 5)

**7. Reglarea vitezei benzii: SB10V2**

Polizorul cu bandă abrazivă este dotat cu un circuit electric de comandă, care permite controlul continuu al vitezei. Pentru reglarea vitezei, rotiți butonul de reglare prezentat în Fig. 6.

Atunci când butonul de reglare este în poziția "1", polizorul funcționează la viteză minimă. Atunci când butonul de reglare este în poziția "5", polizorul funcționează la viteză maximă.

**8. Cum se lucrează la colțuri**

Colțurile pot fi polizate și finisate folosind mașina așa cum este prezentat în figura Fig. 7.

**ÎNTREȚINERE ȘI VERIFICARE****1. Verificarea polizorului cu bandă abrazivă:**

Deoarece folosirea unei benzi abrazive uzate duce la scăderea eficienței, înlocuiți banda abrazivă imediat ce observați o uzură excesivă a acesteia.

**2. Verificarea șuruburilor de montare**

Verificați regulat toate șuruburile de montare și asigurați-vă că acestea sunt strânse corespunzător. Dacă vreunul din șuruburi este slăbit, strângeți-l imediat. Nerespectarea acestei indicații poate duce la pericole grave.

**3. Întreținerea motorului**

Bobinajul motorului este inima motorului. Fiți foarte atenți să nu deteriorați bobinajul și să nu îl expuneți la ulei sau la apă.

**4. Verificarea periiilor de cărbune**

Pentru siguranța dumneavoastră și pentru protejarea împotriva electrocutării, verificarea și înlocuirea periiilor de cărbune trebuie efectuată NUMAI de către o UNITATE SERVICE AUTORIZATĂ DE HITACHI.

**5. Înlocuirea cablului de alimentare**

În cazul în care cablul de alimentare al sculei este deteriorat, scula trebuie dusă la o unitate service autorizată de Hitachi pentru înlocuirea cablului.

**6. Lista pieselor de schimb pentru reparații**

- A: Articol nr.
- B: Cod nr.
- C: Nr. de piese utilizate
- D: Observații

**PRECAUȚIE**

Reparațiile, modificările și verificarea sculelor electrice Hitachi se vor efectua numai la o unitate service autorizată de Hitachi.

În mod particular, întreținerea dispozitivului laser va fi efectuată de un agent autorizat de către producătorul dispozitivului laser.

Repararea dispozitivului laser va fi efectuată întotdeauna de către o unitate service autorizată de Hitachi.

Această listă de piese va fi de ajutor dacă va fi prezentată împreună cu mașina la unitatea service autorizată de Hitachi atunci când solicitați efectuarea de reparații sau de operațiuni de întreținere.

Pe durata folosirii și a operațiilor de întreținere a mașinii trebuie respectate reglementările și standardele naționale privind securitatea.

**MODIFICĂRI**

Sculele electrice Hitachi sunt în mod constant îmbunătățite și modificate, pentru a îngloba cele mai noi cuceriri tehnologice.

De aceea, anumite piese (numărul de cod și/sau aspectul acestora) pot fi modificate fără notificare prealabilă.

**GARANȚIE**

Garantăm sculele electrice Hitachi în conformitate cu reglementările statutare/specifice țării. Această garanție nu acoperă defectele sau daunele provocate de utilizarea necorespunzătoare, abuz sau de uzura și deteriorarea normale. În cazul în care aveți reclamații, vă rugăm să trimiteți scula electrică nedemontată, împreună cu CERTIFICATUL DE GARANȚIE care se găsește la finalul prezentelor Instrucțiuni de utilizare, la o unitate service autorizată de Hitachi.

**NOTĂ**

Ca urmare a programului continuu de cercetare și dezvoltare derulat de Hitachi, prezentele specificații pot fi modificate fără notificare prealabilă.

**Informații privind nivelul de zgomot transmis prin aer și nivelul de vibrații**

Valorile măsurate au fost determinate în conformitate cu EN 60745 și este declarată conformă cu ISO 4871.

Nivelul tipic al puterii sonore ponderate A: 101 dB (A)

Nivelul tipic al presiunii sonore ponderate A: 90 dB (A)

Nivel sonor, KpA: 3 dB (A)

Purtați echipament de protecție auditivă.

Valoarea tipică a rădăcinii medii pătratice ponderate a accelerației nu depășește 2,5 m/s<sup>2</sup>.

## SPLOŠNA VARNOSTNA NAVODILA ZA ELEKTRIČNO ORODJE

### ⚠ OPOZORILO

Preberite vsa varnostna opozorila in navodila.

Z neupoštevanjem opozoril in navodil tvegate električni udar, požar in/ali resne telesne poškodbe.

Vsa opozorila in navodila shranite.

Izraz "električno orodje" v opozorilih se nanaša na električno orodje, ki se napaja z omrežno energijo (s priključno vrvico), ali električno orodje, ki se napaja z energijo iz akumulatorskih baterij (brez priključne vrvice).

#### 1) Varnost na delovnem mestu

- Delovno mesto mora biti čisto in dobro osvetljeno.**  
V razmetanih in temačnih območjih je verjetnost nesreč večja.
- Električnega orodja ni dovoljeno uporabljati v eksplozivnih okoljih, na primer v bližini vnetljivih tekočin, plinov ali prahu.**  
Pri delu z električnim orodjem se iskri – iskre lahko vnamejo prah in hlape.
- Preprečite dostop otrokom in drugim v delovno območje vključenega električnega stroja.**  
Zaradi motenj lahko izgubite nadzor.

#### 2) Električna varnost

- Vtiči električnega orodja morajo ustrezati vtičnici.**  
Vtiča ni dovoljeno kakor koli spreminjati.  
Za povezavo ozemljenega električnega orodja ni dovoljeno uporabiti vmesnih vtičev.  
Z nespremenjenimi vtiči in ustreznimi vtičnicami je tveganje električnega udara manjše.
- Preprečite stik z ozemljenimi površinami, kot so cevi, radiatorji, peči in hladilniki.**  
Ko je telo delavca ozemljeno, je nevarnost električnega udara večja.
- Električnega orodja ni dovoljeno izpostavljati na dež ali v mokre pogoje.**  
Z vdorom vode v električno orodje je nevarnost električnega udara velika.
- Ne zlorablajte priključne vrvice. Priključne vrvice ni dovoljeno uporabljati za prenašanje, vlečenje in izklapljanje električnega orodja.**  
Priključne vrvice ne izpostavljajte na vročino, olje, ostre robove in premične dele.  
Med uporabo poškodovanih in zamotanih priključnih vrvic je nevarnost električnega udara večja.
- Za uporabo električnega orodja na prostem priključite podaljšek, ki je izdelan za takšno uporabo.**  
Z uporabo priključne vrvice, ki je izdelana za delo na prostem, je nevarnost električnega udara manjša.
- Če je delo z električnim orodjem v vlažnem okolju neizbežno, uporabite napajanje, ki je zaščiteno s stikalom za diferenčni tok (RCD).**  
Zaščitno stikalo za diferenčni tok (RCD) zmanjša nevarnost električnega udara.

#### 3) Osebna varnost

- Ostanite zbrani, pazite, kaj delate in delajte po pameti.**  
Električnega orodja ni dovoljeno uporabljati, če ste utrujeni ali pod vplivom mamil, alkohola ali zdravil.

Trenutek nepozornosti med delom z električnim orodjem je lahko vzrok za resne telesne poškodbe.

- Uporabljajte osebno zaščitno opremo. Za delo si obvezno nadenite zaščito za oči.**  
Zaščitna oprema, kot so maska za prah, nezdrsní čevlji, čelada ali zaščita za ušesa, ustrezno uporabljena v danih pogojih, zmanjša nevarnost telesnih poškodb.
  - Preprečite neželen zagon. Preden stroj povežete na omrežni vir in/ali akumulatorski sklop, preden ga dvignete ali prenesete, stikalo obvezno prestavite v položaj izklopa (na "OFF").**  
Pri prenosu električnega orodja s prstom na stikalo ali pri povezavi električnega orodja, ko je stikalo v položaju vklopa "ON", je tveganje nesreč večje.
  - Predn električno orodje vključite, odstranite vse nastavitvene ključe.**  
Med delom z električnim orodjem, kjer je ključ pritrjen na vrteč del tega orodja, je velika nevarnost telesnih poškodb.
  - Ne presegajte. Ves čas trdno stojte in vzdržujte ravnotežje.**  
Na ta način lahko bolje nadzorujete električno orodje v nepričakovanih situacijah.
  - Ustrezno se oblecite. Za delo si nadenite tesna oblačila in snemite nakit. Z lasmi, oblačili in rokavicami ne posegajte med premične dele.**  
Ohlapna oblačila, nakit ali dolgi lasje se lahko ujamejo med premične dele.
  - Če so na voljo naprave za povezavo odpraševalnih delov in zbiralnikov, slednje povežite in pravilno uporabljajte.**  
Funkcija zbiranja prahu zmanjša nevarnost v zvezi s prahom.
- 4) Uporaba in vzdrževanje električnega orodja
- Električnega orodja ne preobremenjujte. Za izbrano delo uporabite ustrezno električno orodje.**  
Z ustreznim električnim orodjem boste delo opravili bolje in varneje.
  - Električnega orodja ni dovoljeno uporabiti, če s stikalom orodja ne morete vključiti in izključiti.**  
Električno orodje, ki ga ni možno upravljati s stikalom, je nevarno in ga je treba popraviti.
  - Predn orodje predelate, spremenite priključke ali orodje shranite, iztaknite vtič iz omrežnega vira in/ali baterijski sklop z električnega orodja.**  
S takšnimi preventivnimi varnostnimi ukrepi zmanjšate nevarnost neželenega zagona orodja.
  - Električno orodje shranite izven dosega otrok in ne dovolite upravljati orodja osebam, ki orodja ne poznajo in ki niso prebrale navodil.**  
Električno orodje je nevarno v rokah neusposobljenih uporabnikov.
  - Električno orodje vzdržujte. Pregledujte, če je nepravilno, če premični deli zavirajo, če so deli polomljeni in druge pogoje, ki lahko vplivajo na delovanje električnega orodja.**  
Poškodovano električno orodje je treba pred uporabo popraviti.  
Vzrok mnogih nesreč je slabo vzdrževano električno orodje.

**f) Rezalno orodje mora biti ostro in čisto.**

Pravilno vzdrževano rezalno orodje z ostrimi rezilnimi robovi manj pogosto zavira in ga je lažje upravljati.

**g) Električno orodje, priključke in svedre ipd. uporabljajte v skladu s temi navodili, pri čemer upoštevajte pogoje dela in izbrane naloge.**

Z uporabo električnega orodja v druge namene nastopi nevarna situacija.

**5) Servis****a) Električno orodje lahko servisira le usposobljen delavec, ki mora uporabljati enake nadomestne dele.**

Na ta način se ohrani varnost električnega orodja.

**VARNOSTNI UKREP**

**Preprečite dostop otrokom in nemočnim osebam.**

**Orodje, ki ga ne uporabljate, shranite izven dosega otrok in nemočnih oseb.**

**SPECIFIKACIJE**

Model	SB10V2	SB10S2
Napetost (po območjih)*	(110V, 220V, 230V, 240V) ~	
Vhodna moč*	1020 W	
Hitrost brez obremenitve	240 – 420 m / min	420 m / min
Velikost traku smirkovega papirja	100 × 610 mm	
Teža (brez kabla)	5,2 kg	

\* Preverite imensko ploščo na izdelku, saj je vrednost odvisna od področja.

**STANDARDNI DODATKI**

- (1) Neskončen trak za brušenje  
(velikost delca: #80) ..... 1
- (2) Vreča za prah ..... 1
- Standardni pripomočki se lahko spremenijo brez vnaprejšnjega obvestila.

**OPCIJSKI DODATKI  
(PRODAJANI LOČENO)****1. Neskončni trakovi za brušenje****Skica 1**

Velikost delcev	Tip delcev
40	AA, WA, CC
60	AA, WA, CC
80	AA, WA, CC
100	AA, WA, CC
120	AA, WA, CC
150	AA, WA, CC
180	AA, WA, CC
240	AA, WA, CC

**OPOMBA:**

Neskončen trak za brušenje se prodaja v paketu po 10 trakov istega tipa.

Pri naročanju povejte želen tip in velikost delca.

**VARNOSTNI UKREPI ZA UPORABO  
BRUSILNEGA TRAKU****POZOR**

Pred brušenjem se prepričajte o materialu, ki ga boste brusili.

Če med brušenjem nastajajo škodljivi/strupeni prahi kot so svinčeva barva, les in kovine, se prepričajte, da je vreča za prah ali sistem za odvajanje prahu tesno priključen na izpuh za prah.

Dotatno uporabite tudi masko za prah, če je na voljo.

Ne vdihavajte in se ne dotikajte škodljivih/strupenih prahov, ki nastajajo pri brušenju, saj prah lahko škoduje vašemu zdravju in zdravju ljudi poleg vas.

**2. Mirujoče stojalo**

Pri brušenju majhnih predmetov uporabite pripravno mirujoče stojalo.

Opcijski dodatki se lahko spremenijo brez vnaprejšnjega obvestila.

**UPORABA**

- Zaključno brušenje in zaključna dela lesenih izdelkov.
- Osnovno poliranje lesenih površin.
- Zaključno brušenje kovinskih površin.
- Osnovno poliranje kovinskih površin, odstranjevanje rje ali barve pred zaključevanjem.
- Zaključevanje površin iz skriča, betona in podobnih materialov.

**PRED UPORABO****1. Vir napetosti**

Zagotovite, da je vir napetosti, ki ga boste uporabili enak zahtevam vira napetosti, ki je določen na imenski plošči izdelka.

**2. Stikalo za napetost**

Prepričajte se, da je stikalo za napetost v položaju OFF (izključeno). Če je vtičac priključen na vtičnico, ko je stikalo v položaju ON (vklopljeno), bo električno orodje takoj začelo delovati ter lahko povzroči resno nesrečo.

**3. Podaljševalni kabel**

Če je delovno območje oddaljeno od vira napetosti, uporabite podaljševalni kabel primerne debeline in kapacitivnosti. Podaljševalni kabel naj bo čim krajši.

**4. Pritrjevanje brusilnega traku.**

Za podrobnosti, glej razdelek "Sestav brusilnega traku".

**KAKO ROKOVATI Z BRUSILNIM TRAKOM****POZOR:**

Prepričajte se, da izključite napetost (OFF/IZKLOP) in izvlečete vtikač iz vtičnice, da se izognete resnim težavam.

**1. Kako pritrditi brusilni trak**

- (1) S prstom povlecite ročico in škripec prostega teka se bo pomaknil proti nazaj. **(Skica 1)**
- (2) Trak postavite na pogonski in škripec prostega teka ter ga napeljite preko zunanje okovne plošče in se prepričajte, da puščica znotraj traku sovпада s smerjo rotacije pogonskega škripca. **(Skica 2)**
- (3) S prstom pritisnite ročico in škripec prostega teka se bo pomaknil proti naprej in primerno napel brusilni trak. V tem primeru bodite pazljivi, da ročice ne udarite s prstom. Nato nastavite položaj brusilnega traku.

**POZOR**  
Brusilni trak, nameščen v napačni smeri bo zmanjšal učinkovitost dela in skrajšal življenjsko dobo brusilnega traku.

**2. Kako odstraniti brusilni trak**

S prstom povlecite ročico, brusilni trak se bo povetil in enostavno boste ga lahko odstranili iz škripcev.

**ODSTRANJEVANJE PRAHU**

Ko se v vrečki za prah nabere prevelika količina prahu bo učinkovitost zbiranja prahu skokovito padla.

Prah iz vrečke odstranite, ko sta polni približno 2/3 vrečke. S tem boste zagotovili učinkovito zbiranje prahu (kot tudi delovno učinkovitost).

Prah iz vrečke odstranite na naslednji način:

- (1) Odvijte podporni drog in odstranite vrečko s prahom. **(Skica 5)**
- (2) Odprtino vreče lahko odprete tako, da odprete drsno tesnilo.

**KAKO UPORABLJATI BRUSILNI TRAK****1. Kako nastaviti položaj brušenja.**

Pritisnite stikalo in obrnite brusilni trak v položaj za preverjanje. Brusilni trak nastavite tako, da oba robova gledata od 1,6 mm - 3 mm izven robov škripcev.

Če brusilni trak uporabljate preveč navznoter lahko to povzroči odrgnjenje in poškoduje stroj.

Položaj brusilnega traku nastavite z obračanjem vijaka za nastavljanje. **(Skica 3)**

- Obrnite vijak za nastavljanje v smeri urinega kazalca, da pomaknete trak navznoter.
- Obrnite vijak za nastavljanje v nasprotni smeri urinega kazalca, da pomaknete trak navzven.

**POZOR**

Če se trak premika med delovanjem lahko nastavljanje izvedete med delovanjem.

**2. Obračanje stikala za vklop**

Obrnite stikalo za vklop in stroj držite vstran od obdelovalne površine. Če je stroj postavljen na površino, ko pritisnete stikalo, se lahko površina hudo poškoduje. Enako velja pri zaustavljanju stroja.

**3. Kako držati stroj**

Primite ročico in gumb na njej ter držite stroj ob površini katero obdelujete tako, da se je narahlo dotika. Teža samega stroja je zadostna za brušenje in poliranje pri najvišji učinkovitosti.

Ne pritiskajte dodatno na stroj, saj s tem nepotrebno obremenite motor, skrajšate življenjsko dobo brusilnega traku in zmanjšate delovno učinkovitost. **(Skica 4)**

**4. Kako premikati stroj**

Stroj naprej pomikajte naprej in nato nazaj, ter ponavljajte te gibe. **(Skica 4)**

**5. Kako izbrati primeren brusilni trak**

S pomočjo spodnje **Tabele 2** in **3** izberite brusilni trak s primerno velikostjo in tipom delcev.

**Tabela 2**

Izpeljan zaključek	Primerna velikost delcev
Grob zaključek	40
Srednji zaključek	40 – 100
Fini zaključek	100 – 240

**Tabela 3**

Tip delcev	Obdelovalna površina
AA	Jeklo, Les
WA	Les, Bambus
CC	Neželezne kovine, Skril, Plastika, Beton

**POZOR**

- Za velikost delcev glejte **Tabelo 3**
- Delec brusilnega traku mora biti bolj grob od smirkovega papirja, ki ga uporabljate za ročno delo.
- Uporabite brusilni trak z enako velikostjo delca, da dosežete enakomerno površino. Spreminjanje velikosti delcev lahko povzroči slab zaključek.

**6. Kako uporabljati stikalo**

Stikalo za vklop je vključeno (ON), ko povlecete za sprožilec in če enkrat pritisnete na zaustavljalce se bo stikalo zaklenilo in omogočilo nenehno delovanje. Zaustavljalce lahko sprostite tako, da povlecete sprožilec. **(Skica 5)**

**7. Nastavljanje hitrosti traku: SB10V2**

Brusilni trak je opremljen z električnim nadzornim vezjem, ki omogoča brezkorajen nadzor nad hitrostjo. Za prilaganje hitrosti obrnite številčnico, ki je prikazana na **Skici 6**.

Ko je številčnica nastavljena na "1", bo brusilnik deloval pri najnižji hitrosti. Ko je številčnica nastavljena na "5", bo brusilnik deloval pri najvišji hitrosti.

**8. Kako delati pri robovih**

Robove lahko brusite in polirate tako, da stroj uporabite kot je prikazano na **Skici 7**.

**VZDRŽEVANJE IN PREGLEDI****1. Pregledovanje brusilnega traku:**

Ker bo nenehna uporaba obrabljenega brusilnega traku poslabšala učinkovitost, zamenjate brusilni trak takoj, ko opazite pretirano odrgnjenost.

**2. Pregled montažnih vijakov**

Redno preverjajte vse montažne vijake in se prepričajte, da so primerno zaviti. Če se katerikoli vijak odvijte, ga takoj zavijte. Če tega ne naredite lahko pride do resnih nesreč.



**3. Vzdrževanje motorja**

Navitje enote motorja je "srce" električnega orodja. Bodite zelo pazljivi, da navitja ne poškodujete in/ali zmočite z oljem ali vodo.

**4. Preverjanje ogljikovih ščetk**

Za nenehno varnost in zaščito pred električnim udarom naj pregled in zamenjavo ogljikovih ščetk izvaja LE POOBLAŠČENI SERVISNI CENTER HITACHI.

**5. Zamenjava električnega kabla**

Če je električni kabel orodja poškodovan, vrnite orodje na v pooblaščen servisni center Hitachi, kjer vam ga bomo zamenjali.

**6. Seznam servisnih delov**

A: Št. predmeta  
B: Št. šifre  
C: Št. uporabljenih  
D: Opombe

**POZOR**

Popravila, spremembe in pregled Hitachi električnega orodja mora izvajati pooblaščen servisni center Hitachi. Zlasti lasersko napravo mora vzdrževati pooblaščen agent proizvajalca laserja.

Popravilo laserske naprave zmeraj določite pooblaščenemu servisnemu centru Hitachi.

Pri zahtevi za popravilo ali vzdrževanje bo v veliko pomoč, če pooblaščenemu servisnemu centru Hitachi skupaj z orodjem izročite tudi ta seznam delov.

Pri uporabi in vzdrževanju električnih orodjih je treba upoštevati varnostne uredbe in standarde, ki so določene za vsako državo.

**SPREMEMBE**

Hitach električna orodja se nenehno izboljšujejo in spreminjajo, da bi vključevala najnovejše tehnološke napredke.

Torej se lahko nekateri deli (tj. številka šifra in/ali zgradba), spremenijo brez vnaprejšnjega obvestila.

**GARANCIJA**

Garantiramo za Hitachi električna orodja v skladu z ustavno/državno veljavnimi uredbami. Garancija ne pokriva napak ali poškodb, ki nastanejo zaradi nepravilne uporabe, zlorabe ali normalne obrabe. V primeru pritožbe pošljite nerazstavljeno električno orodje skupaj z GARANCIJSKIM CERTIFIKATOM, ki ga najdete na koncu teh navodil za uporabo, na pooblaščen servisni center Hitachi.

**OPOMBA**

Zaradi HITACHIJEVEGA nenehnega programa raziskav in razvoja se specifikacije lahko spremenijo brez vnaprejšnjega obvestila.

**Informacije o hrupu in vibracijah**

Izmerjene vrednosti so bile določene glede na EN 60745 in navedeno v skladu z ISO 4871.

Tipičen A-obremenjen nivo moči zvoka: 101 dB (A)

Tipičen A-obremenjen nivo zvočnega pritiska: 90 dB (A)

Spremenljivost KpA: 3 dB (A)

Uporabljajte zaščito za ušesa.

Tipično obremenjeno povprečje kvadrata izvirnega pospeška ne presega 2,5 m/s<sup>2</sup>.

## ОБЩИЕ ПРАВИЛА БЕЗОПАСНОСТИ ПРИ РАБОТЕ С ЭЛЕКТРОИНСТРУМЕНТОМ

### ⚠ ПРЕДУПРЕЖДЕНИЕ

Прочтите все правила безопасности и инструкции. Не выполнение правил и инструкций может привести к поражению электрическим током, пожару и/или серьезной травме.

Сохраняйте все правила и инструкции на будущее.

Термин "электроинструмент" в контексте всех мер предосторожности относится к эксплуатируемому Вами электроинструменту с питанием от сетевой розетки (с сетевым шнуром) или электроинструменту с питанием от аккумуляторной батареи (беспроводному).

#### 1) Безопасность на рабочем месте

- a) **Поддерживайте чистоту и хорошее освещение на рабочем месте.**  
*Беспорядок и плохое освещение приводят к несчастным случаям.*
- b) **Не используйте электроинструменты во взрывоопасных окружающих условиях, например, в непосредственной близости огнеопасных жидкостей, горючих газов или легковоспламеняющейся пыли.**  
*Электроинструменты порождают искры, которые могут воспламенить пыль или испарения.*
- c) **Держите детей и наблюдающих на безопасном расстоянии во время эксплуатации электроинструмента.**  
*Отвлечение внимания может стать для Вас причиной потери управления.*

#### 2) Электробезопасность

- a) **Сетевые вилки электроинструментов должны соответствовать сетевой розетке.**  
**Никогда не модифицируйте штепсельную вилку никаким образом.**  
**Не используйте никакие адаптерные переходники с заземленными (замкнутыми на землю) электроинструментами.**  
*Немодифицированные штепсельные вилки и соответствующие им сетевые розетки уменьшают опасность поражения электрическим током.*
- b) **Не прикасайтесь телом к заземленным поверхностям, например, к трубопроводам, радиаторам, кухонным плитам и холодильникам.**  
*Если Ваше тело соприкоснется с заземленными поверхностями, возрастет опасность поражения электрическим током.*
- c) **Не подвергайте электроинструменты действию воды или влаги.**  
*При попадании воды в электроинструмент возрастет опасность поражения электрическим током.*
- d) **Правильно обращайтесь со шнуром. Никогда не переносите электроинструмент, взявшись за шнур, не тяните за шнур и не дергайте за шнур с целью отсоединения электроинструмента от сетевой розетки. Располагайте шнур подальше от источников тепла, нефтепродуктов, предметов с острыми кромками и движущихся деталей.**  
*Поврежденные или запутанные шнуры увеличивают опасность поражения электрическим током.*
- e) **При эксплуатации электроинструмента вне помещений, используйте удлинительный шнур, предназначенный для использования вне помещения.**

*Использование шнура, предназначенного для работы вне помещений, уменьшит опасность поражения электрическим током.*

- f) **При эксплуатации электроинструмента во влажной среде, используйте устройство защитного отключения (RCD) источника питания.**

*Использование RCD уменьшит опасность поражения электрическим током.*

#### 3) Личная безопасность

- a) **Будьте готовы к неожиданным ситуациям, внимательно следите за своими действиями и руководствуйтесь здравым смыслом при эксплуатации электроинструмента.**  
**Не используйте электроинструмент, когда Вы устали или находитесь под влиянием наркотиков, алкоголя или лекарственных препаратов.**

*Мгновенная потеря внимания вовремя эксплуатации электроинструментов может привести к серьезной травме.*

- b) **Используйте индивидуальные средства защиты. Всегда надевайте средства защиты глаз.**

*Защитное снаряжение, например, противопылевой респиратор, защитная обувь с нескользкой подошвой, защитный шлем-каска или средства защиты органов слуха, используемые для соответствующих условий, уменьшат травмы.*

- c) **Избегайте непреднамеренного включения двигателя. Убедитесь в том, что выключатель находится в положении выключения перед подниманием, переноской или подсоединением к сетевой розетке и/или портативному батарейному источнику питания.**

*Переноска электроинструментов, когда Вы палец держите на выключателе, или подсоединение электроинструментов к сетевой розетке, когда выключатель будет находиться в положении включения, приводит к несчастным случаям.*

- d) **Снимите все регулировочные или гаечные ключи перед включением электроинструмента.**

*Гаечный или регулировочный ключ, оставленный прикрепленным к вращающейся детали электроинструмента, может привести к получению травмы.*

- e) **Не теряйте устойчивость. Все время имейте точку опоры и сохраняйте равновесие.**

*Это поможет лучше управлять электроинструментом в непредвиденных ситуациях.*

- f) **Одевайтесь надлежащим образом. Не надевайте просторную одежду или ювелирные изделия. Держите волосы, одежду и перчатки как можно дальше от движущихся частей.**

*Просторная одежда, ювелирные изделия или длинные волосы могут попасть в движущиеся части.*

- g) **Если предусмотрены устройства для присоединения приспособлений для отвода и сбора пыли, убедитесь в том, что они присоединены и используются надлежащим образом.**

*Использование данных устройств может уменьшить опасности, связанные с пылью.*

#### 4) Эксплуатация и обслуживание электроинструментов

- a) **Не перегружайте электроинструмент. Используйте надлежащий для Вашего применения электроинструмент.**

*Надлежащий электроинструмент будет выполнять работу лучше и надежнее в том режиме работы, на который он рассчитан.*

- b) Не используйте электроинструмент с неисправным выключателем, если с его помощью нельзя будет включить и выключить инструмент.  
*Каждый электроинструмент, которым нельзя управлять с помощью выключателя, будет представлять опасность, и его будет необходимо отремонтировать.*
- c) Отсоедините штепсельную вилку от источника питания и/или портативный батарейный источник питания от электроинструмента перед началом выполнения какой-либо из регулировок, перед сменой принадлежностей или хранением электроинструментов.  
*Такие профилактические меры безопасности уменьшат опасность непреднамеренного включения двигателя электроинструмента.*
- d) Храните неиспользуемые электроинструменты в недоступном для детей месте, и не разрешайте людям, не знающим как обращаться с электроинструментом или не изучившим данное руководство, работать с электроинструментом.  
*Электроинструменты представляют опасность в руках неподготовленных пользователей.*
- e) Содержите электроинструменты в исправности. Проверьте, нет ли несоосности или заедания движущихся частей, повреждения деталей или какого-либо другого обстоятельства, которое может повлиять на функционирование электроинструментов.  
При наличии повреждения отремонтируйте электроинструмент перед его эксплуатацией.  
*Большое количество несчастных случаев связано с плохим обслуживанием электроинструментов.*
- f) Содержите режущие инструменты остро заточенными и чистыми.  
*Надлежащим образом содержащиеся в исправности режущие инструменты с острыми режущими кромками будут меньше заедать и будут легче в управлении.*
- g) Используйте электроинструмент, принадлежности, насадки и т.п. в соответствии с данным руководством, принимая во внимание условия и объем выполняемой работы.  
*Использование электроинструмента для выполнения работ не по прямому назначению может привести к опасной ситуации.*

#### 5) Обслуживание

- a) Обслуживание Вашего электроинструмента должно выполняться квалифицированным представителем ремонтной службы с использованием только идентичных запасных частей.  
*Это обеспечит сохранность и безопасность электроинструмента.*

#### МЕРА ПРЕДОСТОРОЖНОСТИ

Держите подальше от детей и немощных людей.  
Если инструменты не используются, их следует хранить в недоступном для детей и немощных людей месте.

#### МЕРЫ ПРЕДОСТОРОЖНОСТИ ПО ИСПОЛЬЗОВАНИЮ ЛЕНТОЧНО-ШЛИФОВАЛЬНОГО СТАНКА

#### ПРЕДОСТЕРЕЖЕНИЕ

Перед операцией шлифования проверьте материал, который вы собираетесь шлифовать.

Если в течение операции шлифования ожидается выделение вредной/ядовитой пыли, как например свинцовая краска, дерево и металлы, то убедитесь, что пылесборник или соответствующая система пылеудаления плотно присоединены к отверстию для вывода пыли.

Если доступно, то дополнительно носите противопылевой респиратор.

Не вдыхайте и не касайтесь вредной/ядовитой пыли, выделяемой при шлифовке, такая пыль может угрожать вашему здоровью или здоровью окружающих.

#### ТЕХНИЧЕСКИЕ ХАРАКТЕРИСТИКИ

Модель	SB10V2	SB10S2
Напряжение (по регионам)*	(110В, 220В, 230В, 240В) ~	
Потребляемая мощность*	1020 W	
Скорость ленты на холостом ходу	240 – 420 м/мин	420 м/мин
Размер наждачной ленты	100 × 610 мм	
Вес (без шнура)	5,2 кг	

\*Проверьте паспортную табличку на изделии, так как она меняется в зависимости от региона

## СТАНДАРТНЫЕ АКСЕССУАРЫ

- (1) Кольцевая шлифовальная лента  
(размер зерна: #80) ..... 1  
(2) Пылесборник ..... 1  
Набор стандартных аксессуаров может быть без  
предупреждения изменён.

## ДОПОЛНИТЕЛЬНЫЕ АКСЕССУАРЫ (продаются отдельно)

### 1. Кольцевые шлифовальные ленты

Таблица 1

Размер зерна	Тип зерна
40	AA, WA, CC
60	AA, WA, CC
80	AA, WA, CC
100	AA, WA, CC
120	AA, WA, CC
150	AA, WA, CC
180	AA, WA, CC
240	AA, WA, CC

#### ПРИМЕЧАНИЕ:

Кольцевые шлифовальные ленты продаются  
упаковками по 10 лент одного типа.  
При заказе указывать желаемые тип и размер зерна.

### 2. Стационарная консоль

Для удобства используйте стационарную консоль при  
шлифовке объектов небольшого размера.

Набор дополнительных аксессуаров может быть без  
предупреждения изменён.

## ОБЛАСТЬ ПРИМЕНЕНИЯ

- Отделочная шлифовка и чистовое строгание  
деревянных изделий.
- Основная полировка поверхностей с деревянным  
покрытием.
- Отделочная шлифовка металлических  
поверхностей.
- Основная полировка поверхностей с металлическим  
покрытием, удаление ржавчины или краски перед  
повторной отделкой.
- Поверхностная отделка шифера, бетона и  
аналогичных материалов.

## ПОДГОТОВКА К ЭКСПЛУАТАЦИИ

### 1. Источник электропитания

Проследите за тем, чтобы используемый источник  
электропитания соответствовал требованиям к  
источнику электропитания, указанным на типовой  
табличке изделия.

### 2. Переключатель "Вкл./ Выкл."

Убедитесь в том, что переключатель находится в  
положении "Выкл.". Если вы вставляете штепсель  
в розетку, а переключатель находится в положении  
"Вкл.", инструмент немедленно заработает, что  
может стать причиной серьёзной травмы.

### 3. Удлинитель

Когда рабочая площадка удалена от источника  
электропитания, пользуйтесь удлинителем.  
Удлинитель должен иметь требуемую площадь  
поперечного сечения и обеспечивать работу  
инструмента заданной мощности. Разматывайте  
удлинитель только на реально необходимую для  
данного конкретного применения длину.

### 4. Установите шлифовальную ленту.

Относительно деталей смотрите раздел "Узел  
шлифовальной ленты".

## КАК ОБРАЩАТЬСЯ СО ШЛИФОВАЛЬНОЙ ЛЕНТОЙ

#### ПРЕДОСТЕРЕЖЕНИЕ:

Убедитесь, что выключатель питания находится в  
положении OFF и отключите вилку из разъема во  
избежание серьезных проблем.

### 1. Как установить шлифовальную ленту

- (1) Потяните рычаг пальцем, затем натяжной шкив будет  
двигаться в обратном направлении. (Рис. 1)
- (2) Поместите на приводной шкив и натягивайте его  
через внешнюю поверхность башмака и убедитесь,  
что стрелка на внутренней поверхности ленты  
совпадают с направлением вращения приводного  
шкива. (Рис. 2)
- (3) Толкните рычаг пальцем, после этого натяжной шкив  
начнет двигаться вперед и обеспечить  
соответствующее натяжение шлифовальной ленте.  
В этом случае будьте осторожны, чтобы рычаг не  
ударил ваш палец.

#### ПРЕДОСТЕРЕЖЕНИЕ:

Установка шлифовальной ленты в неправильном  
направлении приведет к снижению эффективности  
работы и сокращению срока службы шлифовальной  
ленты.

### 2. Как снять шлифовальную ленту

Потяните рычаг пальцем, шлифовальная лента  
провиснет и может быть легко снята со шкивов.

## УДАЛЕНИЕ ПЫЛИ

При скоплении избыточного количества пыли в  
пылесборнике, эффективность сбора пыли резко  
уменьшится.

Удалите пыль из мешка, когда её соберется примерно  
2/3 объема мешка, что будет гарантировать  
эффективность сбора пыли (как и производительность).  
Удаляйте пыль из мешка следующим образом:

- (1) Ослабьте опорную планку и снимите пылесборник.  
(Рис. 5)
- (2) После этого с помощью застежки-молнии можно  
открыть пылеприемник.

## КАК ИСПОЛЬЗОВАТЬ ЛЕНТОЧНО-ШЛИФОВАЛЬНЫЙ СТАНОК

- 1. Как отрегулировать положение шлифовки.**  
Нажмите выключатель и поверните шлифовальную ленту в положение проверки. Отрегулируйте шлифовальную ленту так, чтобы оба конца выступали на 1,6 мм – 3 мм за края шкивов.

Если шлифовальная лента располагается слишком близко к внутренней поверхности, то она может вызвать абразивный износ и повредить машину. Поворачивая регулировочный винт, отрегулируйте положение шлифовальной ленты (**Рис. 3**).

- Поворачивайте регулировочный винт по часовой стрелке для приближения ленты.
- Поворачивайте регулировочный винт против часовой стрелки для удаления ленты.

### ПРЕДОСТЕРЕЖЕНИЕ:

Если шлифовальная лента движется в процессе эксплуатации, то регулировка может проводиться в течение работы.

- 2. Для включения выключателя.**  
Включайте выключатель, удерживая машину вдали от поверхности, которая должна обрабатываться. Если при включении машина находится на поверхности, то эта поверхность может быть сильно повреждена царапинами. То же самое применимо и в случае останова машины.
- 3. Как держать машину**  
Крепко сожмите рукоятку и выступ ручки и держите станок против обрабатываемой поверхности так, чтобы он слегка касался поверхности. Вес самого станка достаточен для шлифовки и полировки с максимальной эффективностью. Не прилагайте дополнительного давления, т.к. оно будет создавать излишнюю нагрузку на мотор, сокращать срок службы шлифовальной ленты и снижать производительность работы. (**Рис. 4**)
- 4. Как двигать станок**  
Перемещайте станок сначала вперед, а потом назад, повторяя это движение. (**Рис. 4**)
- 5. Как выбрать правильную шлифовальную ленту**  
Выбирайте шлифовальную ленту с соответствующим размером и типом зерна для вашей конкретной цели, обращаясь к приведенным ниже **Таблицам 2 и 3**.

Таблица 2

Вторичная отделка	Соответствующий размер зерна
Грубая отделка	40
Средняя отделка	40 – 100
Чистовая отделка	100 – 240

Таблица 3

Тип зерна	Обрабатываемая поверхность
AA	Сталь, Дерево
WA	Дерево, Бамбук
CC	Цветные металлы, Сланец, Пластмасса, Бетон

### ПРЕДОСТЕРЕЖЕНИЕ:

- Относительно размера зерна обращайтесь к **Таблице 3**.
  - Зерно шлифовальной ленты должно быть более крупным по сравнению с наждачной бумагой, используемой для ручной работы.
  - Используйте шлифовальную ленту с одинаковым размером зерна до получения однородной поверхности. Смена размеров зерна может привести к плохой отделке.
- 6. Как управлять выключателем**  
Выключатель электропитания устанавливается в положение ON при нажатии курка, и если этот выключатель нажат, то он будет зафиксирован, делая возможной непрерывную работу. Фиксатор может быть освобожден нажатием курка. (**Рис. 5**)
  - 7. Регулировка скорости ленты: SB10V2**  
Ленточно-шлифовальный станок оснащен схемой электроуправления, обеспечивающей плавную регулировку скорости. Для регулировки скорости поверните шкальный диск, показанный на **Рис. 6**. При установке диска на "1", ленточно-шлифовальный станок работает при минимальной скорости. При установке диска на "5", ленточно-шлифовальный станок работает при максимальной скорости.
  - 8. Как обрабатывать угол**  
Углы могут шлифоваться и полироваться при использовании станка так, как показано на **Рис. 7**.

## ТЕХНИЧЕСКОЕ ОБСЛУЖИВАНИЕ И ПРОВЕРКА

- 1. Проверка шлифовальной ленты:**  
Поскольку длительное использование изношенной шлифовальной ленты будет понижать производительность работы, то заменяйте шлифовальную ленту сразу после выявления избыточного истирания.
- 2. Проверка установленных винтов**  
Регулярно проверяйте все установленные на инструменте винты, следите за тем, чтобы они были как следует затянуты. Немедленно затяните винт, который окажется ослабленным. Невыполнение этого правила грозит серьезной опасностью.
- 3. Техническое обслуживание двигателя**  
Обмотка двигателя - "сердце" электроинструмента. Проявляйте должное внимание, следя за тем, чтобы обмотка не была повреждена и/или залита маслом или водой.
- 4. Осмотр угольных щеток**  
С целью обеспечения Вашей постоянной безопасности и предотвращения поражения электрическим током, осмотр и замену угольной щетки на данном электроинструменте должны выполнять ТОЛЬКО специалисты авторизованного сервисного центра Hitachi.
- 5. Замена сетевого шнура**  
В случае если будет поврежден сетевой шнур данного электроинструмента, электроинструмент необходимо вернуть в авторизованный сервисный центр Hitachi для замены шнура.

Русский

#### 6. Порядок записей по техобслуживанию

- A: пункт №
- B: код №
- C: количество применений
- D: замечания

#### ОСТОРОЖНО

Ремонт, модификацию и осмотр механизированного инструмента фирмы Hitachi следует проводить в авторизованном сервисном центре Hitachi.

Этот перечень запасных частей пригодится при представлении его вместе с инструментом в авторизованный сервисный центр Hitachi с запросом на ремонт или прочее обслуживание.

При работе и обслуживании механизированных инструментов нужно соблюдать правила и стандарты безопасности, действующие в каждой данной стране.

#### ЗАМЕЧАНИЕ

Фирма HITACHI непрерывно работает над совершенствованием своих изделий, поэтому мы сохраняем за собой право на внесение изменений в технические характеристики, упомянутые в данной инструкции по эксплуатации, без предупреждения об этом.

---

#### ГАРАНТИЯ

Мы гарантируем соответствие автоматических инструментов Hitachi нормативным/национальным положениям. Данная гарантия не распространяется на дефекты или ущерб, возникший вследствие неправильного использования или ненадлежащего обращения, а также нормального износа. В случае подачи жалобы отправляйте автоматический инструмент в неразобранном состоянии вместе с ГАРАНТИЙНЫМ СЕРТИФИКАТОМ, который находится в конце инструкции по обращению, в авторизованный центр обслуживания Hitachi.

---

#### ПРИМЕЧАНИЕ

На основании постоянных программ исследования и развития, HITACHI оставляют за собой право на изменение указанных здесь технических данных без предварительного уведомления.

---

#### Информация, касающаяся создаваемого шума и вибрации

Измеряемые величины были определены в соответствии с EN60745 и заявлены в соответствии с ISO 4871.

Измеренный средневзвешенный уровень звуковой мощности: 101 дБ (А)

Измеренный средневзвешенный уровень звукового давления: 90 дБ (А)

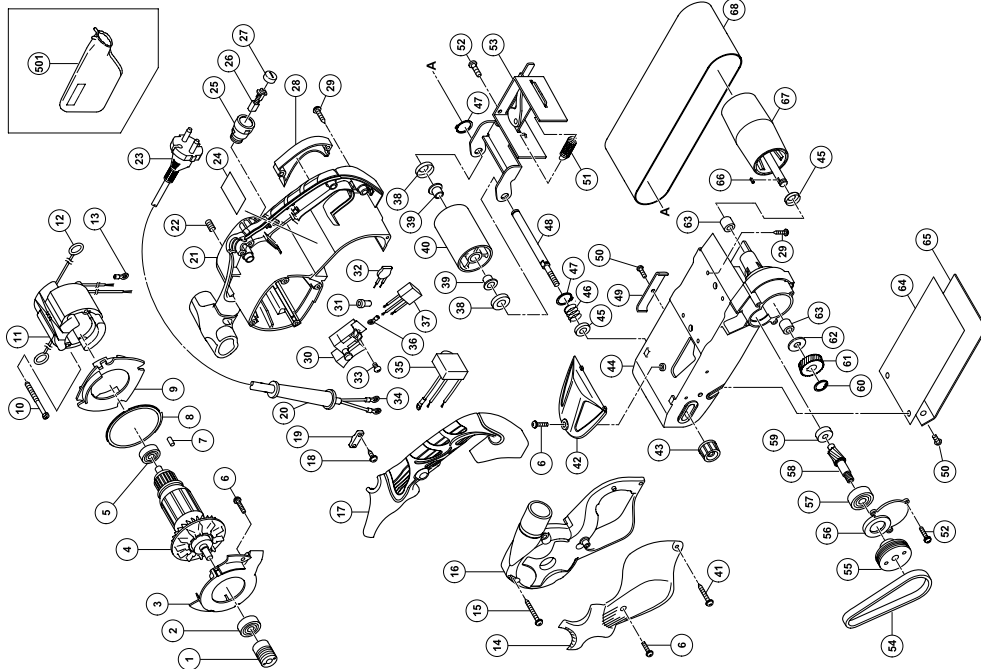
Погрешность КрА: 3 дБ (А)

Надевайте наушники.

Типичное взвешенное среднеквадратическое значение ускорения не превышает 2,5 м/с<sup>2</sup>.

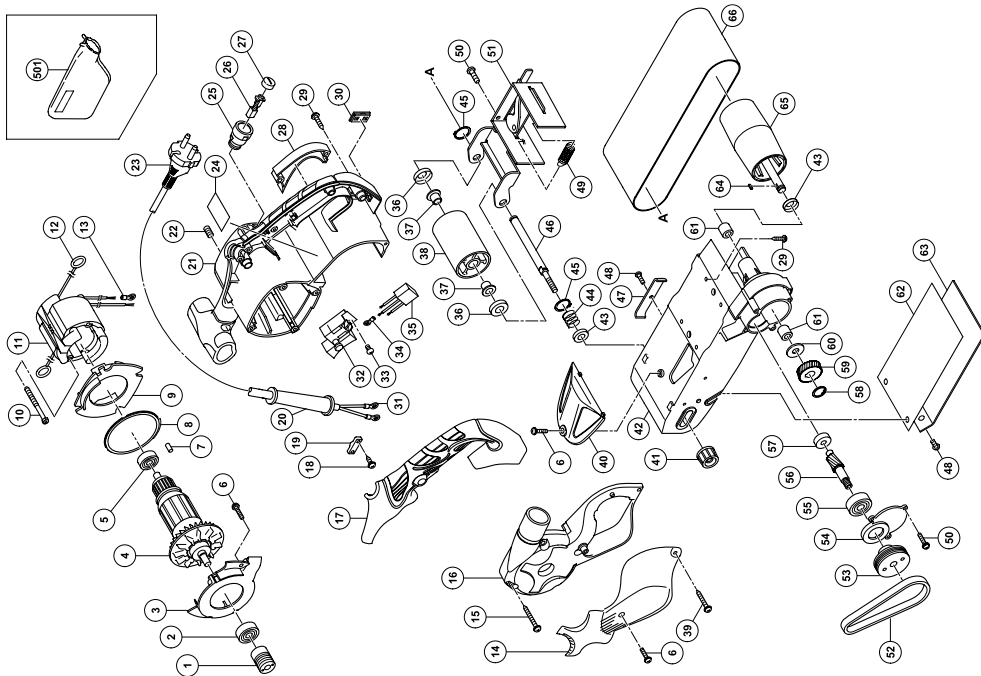
---

SB10V2



A	B	C	D
1	327742	1	6000VVCMP2SL
2	6000VV	1	110V
3	327739	1	220V-230V
4-1	360797C	1	240V
4-2	360797E	1	608VVC2PS2L
4-3	360797F	1	M4x12
5	608VVM	1	
6	935196	4	
7	931701	1	
8	328209	1	
9	327738	1	
10	953174	2	D5x55
11-1	340700J	1	110V "12"
11-2	340700D	1	120V "12"
11-3	340700G	1	220V-230V "12"
11-4	340700H	1	240V "12"
12	930703	2	
13	980063	2	
14	328433	1	
15	316321	4	D5x45
16	327740	1	
17	327760	1	
18	984750	2	D4x16
19	937631	1	
20	958049	1	D8.2
21	327759	1	"22, 25"
22	938477	2	M5x8
23		1	
24		1	
25	958900	2	
26	999043	2	
27	945161	2	
28	327779	1	
29	305812	9	D4x16
30	325085	1	
31	959140	1	
32	328432	1	
33	305499	4	M3.5x6
34	980063	2	
35-1	327753	1	100V-110V
35-2	327757	1	120V
35-3	327758	1	220V-240V
36	938108	1	
37	325566	1	
38	953043	2	
39	953042	2	
40	995586	1	"39"
41	305490	1	D4x30
42	327744	1	
43	995578	1	
44	327780	1	"59, 63"
45	953161	2	
46	995577	1	
47	939542	2	
48	995587	1	
49	327746	1	
50	949216	3	M4x10
51	953063	1	
52	949218	5	M4x14
53	995585	1	"51"
54	327741	1	
55	327749	1	
56	327748	1	
57	6200VV	1	6200VVCMP2SL
58	327750	1	
59	935522	1	
60	939540	1	
61	995576	1	
62	948213	1	D19
63	953175	2	D10x14x12
64	995579	1	
65	327781	1	
66	944109	1	3x3x8
67	995575	1	
68	995552	1	100x610 WA80
501	323011	1	

SB10S2



A	B	C	D	A	B	C	D
1	327742	1		36	953043	2	
2	6000VV	1	6000VVCMP2SL	37	953042	2	
3	327739	1		38	995586	1	"37"
4-1	360797C	1	110V	39	305490	1	D4x30
4-2	360797E	1	220V-230V	40	327744	1	
4-3	360797F	1	240V	41	995578	1	
5	608VVM	1	608VVC2PS2L	42	327780	1	"57, 61"
6	935196	4	M4x12	43	953161	2	
7	931701	1		44	995577	1	
8	328209	1		45	939542	2	
9	327738	1		46	995587	1	
10	953174	2	D5x55	47	327746	1	
11-1	340700J	1	110V "12, 13"	48	949216	3	M4x10
11-2	340700D	1	120V "12, 13"	49	953063	1	
11-3	340700G	1	220V-230V "12, 13"	50	949218	5	M4x14
11-4	340700H	1	240V "12, 13"	51	995585	1	"49"
12	930703	2		52	327741	1	
13	930804	2	M4.0	53	327749	1	
14	328433	1		54	327748	1	
15	316321	4	D5x45	55	6200VV	1	6200VVCMP2SL
16	327740	1		56	327750	1	
17	327760	1		57	935522	1	
18	984750	2	D4x16	58	939540	1	
19	937631	1		59	995576	1	
20-1	958049	1	D8.2	60	948213	1	D19
20-2	940778	1	D10.7	61	953175	2	D10x14x12
21	327759	1	"22, 25"	62	995579	1	
22	938477	2	M5x8	63	327781	1	3x3x8
23		1		64	944109	1	
24		1		65	995575	1	
25	958900	2		66	995552	1	100x610 WA80
26	999043	2		501	323011	1	
27	945161	2					
28	327779	1					
29	305812	9	D4x16				
30	327791	1	FOR CORD				
31	980063	2					
32	325085	1	M3.5x6				
33	305499	4					
34	938108	1					
35	325566	1					



<p>English</p> <p><b><u>GUARANTEE CERTIFICATE</u></b></p> <p>① Model No.  ② Serial No.  ③ Date of Purchase  ④ Customer Name and Address  ⑤ Dealer Name and Address  (Please stamp dealer name and address)</p>	<p>Čeština</p> <p><b><u>ZÁRUČNÍ LIST</u></b></p> <p>① Model č.  ② Série č.  ③ Datum nákupu  ④ Jméno a adresa zákazníka  ⑤ Jméno a adresa prodejce  (Prosíme o razítko se jménem a adresou prodejce)</p>
<p>Deutsch</p> <p><b><u>GARANTIESCHEIN</u></b></p> <p>① Modell-Nr.  ② Serien-Nr.  ③ Kaufdatum  ④ Name und Anschrift des Kunden  ⑤ Name und Anschrift des Händlers  (Bitte mit Namen und Anschrift des Handlers abstempeln)</p>	<p>Türkçe</p> <p><b><u>GARANTİ SERTİFİKASI</u></b></p> <p>① Model No.  ② Seri No.  ③ Satın Alma Tarihi  ④ Müşteri Adı ve Adresi  ⑤ Bayi Adı ve Adresi  (Lütfen bayi adını ve adresini kaşe olarak basın)</p>
<p>Ελληνικά</p> <p><b><u>ΠΙΣΤΟΠΟΙΗΤΙΚΟ ΕΓΓΥΗΣΗΣ</u></b></p> <p>① Αρ. Μοντέλου  ② Αύξων Αρ.  ③ Ημερομηνία αγοράς  ④ Όνομα και διεύθυνση πελάτη  ⑤ Όνομα και διεύθυνση μεταπωλητή  (Παρακαλούμε να χρησιμοποιηθεί σφραγίδα)</p>	<p>Română</p> <p><b><u>CERTIFICAT DE GARANȚIE</u></b></p> <p>① Model nr.  ② Nr. de serie  ③ Data cumpărării  ④ Numele și adresa clientului  ⑤ Numele și adresa distribuitorului  (Vă rugăm aplicați ștampila cu numele și adresa distribuitorului)</p>
<p>Polski</p> <p><b><u>GWARANCJA</u></b></p> <p>① Model  ② Numer seryjny  ③ Data zakupu  ④ Nazwa klienta i adres  ⑤ Nazwa dealera i adres  (Pieczeć punktu sprzedaży)</p>	<p>Slovenščina</p> <p><b><u>GARANCIJSKO POTRDILO</u></b></p> <p>① Št. modela  ② Serijska št.  ③ Datum nakupa  ④ Ime in naslov kupca  ⑤ Ime in naslov prodajalca  (Prosimo vtisnite žig z imenom in naslovom prodajalca)</p>
<p>Magyar</p> <p><b><u>GARANCIA BIZONYLAT</u></b></p> <p>① Típuszám  ② Sorozatszám  ③ A vásárlás dátuma  ④ A Vásárló neve és címe  ⑤ A Kereskedő neve és címe  (Kérjük ide elhelyezni a Kereskedő nevének és címének pecsétjét)</p>	<p>Русский</p> <p><b><u>ГАРАНТИЙНЫЙ СЕРТИФИКАТ</u></b></p> <p>① Модель №  ② Серийный №  ③ Дата покупки  ④ Название и адрес заказчика  ⑤ Название и адрес дилера  (Пожалуйста, внесите название и адрес дилера)</p>



# HITACHI

①	
②	
③	
④	
⑤	

**Hitachi Koki**



### **Hitachi Power Tools Österreich GmbH**

Str. 7, Objekt 58/A6, Industriezentrum NÖ –Süd 2355  
Wiener Neudorf, Austria  
Tel: +43 2236 64673/5  
Fax: +43 2236 63373

### **Hitachi Power Tools Hungary Kft.**

1106 Bogancsvirag U.5-7, Budapest, Hungary  
Tel: +36 1 2643433  
Fax: +36 1 2643429  
URL: <http://www.hitachi-powertools.hu>

### **Hitachi Power Tools Polska Sp.z o.o.**

ul. Kleszczowa27  
02-485 Warszawa, Poland  
Tel: +48 22 863 33 78  
Fax: +48 22 863 33 82  
URL: <http://www.hitachi-elektronarzedzia.pl>

### **Hitachi Power Tools Czech s.r.o.**

Videnska 102,619 00 Brno, Czech  
Tel: +420 547 426 598  
Fax: +420 547 426 599  
URL: <http://www.hitachi-powertools.cz>

### **Hitachi Power Tools Netherlands B.V. Moscow Branch**

Kashirskoye Shosse Dom 65, 4F  
115583 Moscow, Russia  
Tel: +7 495 727 4460 or 4462  
Fax: +7 495 727 4461  
URL: <http://www.hitachi-pt.ru>

### **Hitachi Power Tools Romania**

Str Sf. Gheorghe nr 20-Ferma, Pantelimon, Jud. Lifov  
Tel: +031 805 25 77  
Fax: +031 805 27 19

<p>English</p> <p><b>EC DECLARATION OF CONFORMITY</b></p> <p>We declare under our sole responsibility that this product is in conformity with standards or standardized documents EN60745, EN55014 and EN61000 in accordance with Council Directives 2004/108/EC and 98/37/EC.</p> <p>This declaration is applicable to the product affixed CE marking.</p>	<p>Čeština</p> <p><b>PROHLÁŠENÍ O SHODĚ S CE</b></p> <p>Prohlašujeme na svoji zodpovědnost, že tento výrobek odpovídá normám EN60745, EN55014 a EN61000 v souladu se směrnicemi 2004/108/EC a 98/37/EC.</p> <p>Toto prohlášení platí pro výrobek označený značkou CE.</p>
<p>Deutsch</p> <p><b>ERKLÄRUNG ZUR KONFORMITÄT MIT CE-REGELN</b></p> <p>Wir erklären mit alleiniger Verantwortung, daß dieses Produkt den Standards oder standardisierten Dokumenten EN60745, EN55014 und EN61000 in Übereinstimmung mit den Direktiven des Europarats 2004/108/CE und 98/37/CE entspricht.</p> <p>Diese Erklärung gilt für Produkte, die die CE-Markierung tragen.</p>	<p>Türkçe</p> <p><b>AB UYGUNLUK BEYANI</b></p> <p>Bu ürünün, 2004/108/EC ve 98/37/EC sayılı Konsey Direktiflerine uygun olarak, EN60745, EN55014 ve EN61000 sayılı standartlara ve standartlaştırılmış belgelere uygun olduğunu, tamamen kendi sorumluluğumuz altında beyan ederiz.</p> <p>Bu beyan, üzerinde CE işareti bulunan ürünler için geçerlidir.</p>
<p>Ελληνικά</p> <p><b>EK ΔΗΛΩΣΗ ΕΝΑΡΜΟΝΙΣΜΟΥ</b></p> <p>Δηλώνουμε με απόλυτη υπευθυνότητα ότι αυτό το προϊόν είναι εναρμονισμένο με τα πρότυπα ή τα έγγραφα προτύπων EN60745, EN55014 και EN61000 σε συμφωνία με τις Οδηγίες του Συμβουλίου 2004/108/ΕΚ και 98/37/ΕΚ.</p> <p>Αυτή η δήλωση ισχύει στο προϊόν με το σημάδι CE.</p>	<p>Română</p> <p><b>DECLARAȚIE DE CONFORMITATE CE</b></p> <p>Declarăm pe propria răspundere că acest produs este conform cu standardele sau documentele de standardizare EN60745, EN55014 și EN61000 și cu Directivele Consiliului 2004/108/CE și 98/37/CE.</p> <p>Prezenta declarație se referă la produsul pe care este aplicat semnul CE.</p>
<p>Polski</p> <p><b>DEKLARACJA ZGODNOŚCI Z EC</b></p> <p>Oznajmiamy z całkowitą odpowiedzialnością, że produkt ten pozostaje w zgodzie ze standardami lub standardową formą dokumentów EN60745, EN55014 i EN61000 w zgodzie z Zasadami Rady 2004/108/ EC i 98/37/EC.</p> <p>To oświadczenie odnosi się do załączonego produktu z oznaczeniami CE.</p>	<p>Slovenščina</p> <p><b>EC DEKLARACIJA O SKLADNOSTI</b></p> <p>Po lastni odgovornosti objavljamo, da je izdelek v skladu s standardi ali standardiziranimi dokumenti EN60745, EN55014 in EN61000 v skladu z direktivami Sveta 2004/108/EC in 98/37/EC.</p> <p>Deklaracija je označena na izdelku s pritrjeno CE označbo.</p>
<p>Magyar</p> <p><b>EU MEGFELELŐSÉGI NYILATKOZAT</b></p> <p>Teljes felelősségünk tudatában kijelentjük, hogy ez a termék megfelel az EN60745, EN55014, és EN 61000 szabványoknak illetve szabványosított dokumentumoknak, az Európa Tanács 2004/108/EC, és 98/37/EC Tanácsi Direktíváival összhangban.</p> <p>Jelen nyilatkozat a terméken feltüntetett CE jelzésre vonatkozik.</p>	<p>Русский</p> <p><b>ДЕКЛАРАЦИЯ СООТВЕТСТВИЯ ЕС</b></p> <p>Мы с полной ответственностью заявляем, что данное изделие соответствует стандартам или стандартизованным документам EN60745, EN55014 и EN61000 согласно Директивам Совета 2004/108/EC и 98/37/EC.</p> <p>Данная декларация относится к изделиям, на которых имеется маркировка CE.</p>
<p>Representative office in Europe  <b>Hitachi Power Tools Europe GmbH</b>  Siemensring 34, 47877 Willich 1, F. R. Germany</p> <p>Head office in Japan  <b>Hitachi Koki Co., Ltd.</b>  Shinagawa Intercity Tower A, 15-1, Konan 2-chome,  Minato-ku, Tokyo, Japan</p> <p style="text-align: center;"><b>CE</b></p> <p style="text-align: right;">30. 1. 2009</p> <p style="text-align: right;"><i>K. Kato</i></p> <p style="text-align: right;">K. Kato Board Director</p>	

 **Hitachi Koki Co., Ltd.**

901  
Code No. C99159692 M  
Printed in Malaysia